

## BLOCK Lavatory Item #4500

### Features:

- Porcelain lavatory without overflow
- Wall-mounted installation
- Mounting bolts are included
- Faucet hole diameter is 1 3/8"
- Drain/trap included
- Recommended low-flow faucets with aerators to prevent splashing
- Can be installed to meet ADA compliance
- Meets and exceeds the following standards/codes:
  - ASME A112.19.2-2013/CSA B45.1-13
  - CMR 248 (Mass. Code of Approval)
- Freight class 4 based on the Lacava Freight Program
- Weight: 55 lbs.



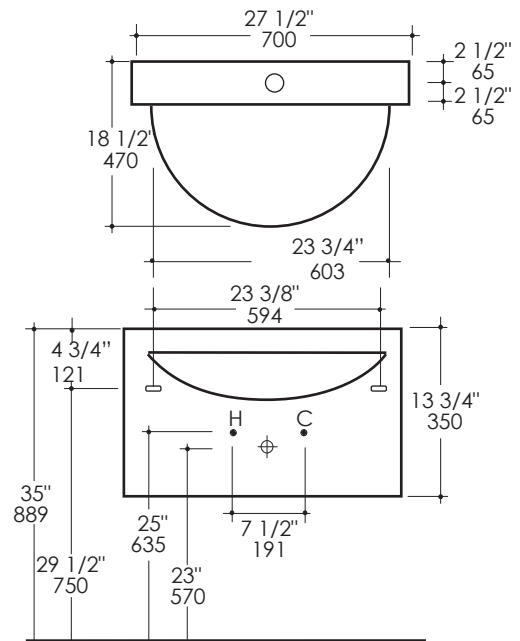
### Finish Options:

001 - White

### Faucet Hole Options:

- 00 - no faucet holes
- 01 - one faucet hole

### Product Specifications:



#### Notes:

Drawings provided herein are meant to give the user an idea of the product and are not made to scale. The size in inches is rounded up to the nearest 1/16". Slight variances can often occur with porcelain and woodwork. Therefore, LACAVA will not be held responsible for any cutouts, countertops, or furniture made without the actual product or template from LACAVA.

Plumbing specifications are only a guideline and may need to be altered based on the application.

Product specifications are not binding to the manufacturer and can be changed without notice at any time. Please refer to your shipment for product final sizes.

LACAVA is committed to the highest level of customer service. Please feel free to contact us at 1-888-522-2823 (toll free) or by email at [info@lacava.com](mailto:info@lacava.com) for technical assistance or any general inquiries.

Rev. 02-03-2017