

## Ottavo Lavatory Item #4255

### Features:

- Porcelain lavatory with overflow
- Self-rimming installation
- Requires oversized European drain (i.e. item #7100-13OF, #7100-16OF)
- Template for cutout is available upon request
- Can be installed to meet ADA compliance

### Recommended Accessories:

- Item #6051T: Wall-mounted wooden countertop with stainless steel v-brackets
- Item #6052B1: Free-standing wooden bench vanity
- Item #6052B2: Free-standing wooden bench vanity with one large drawer
- Item #6052B3: Free-standing wooden bench vanity with one shelf



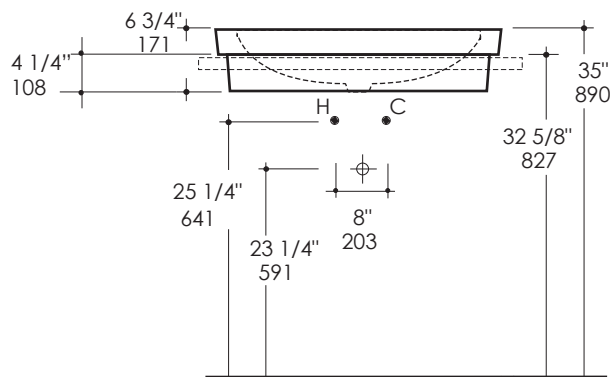
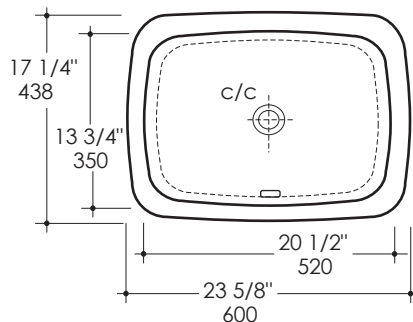
### Finish Options:

001 - White

### Faucet Hole Options:

-None

### Product Specifications:



#### IMPORTANT:

We use very fine clay to produce select porcelain lavatories. The many benefits of fine clay include low porosity, high brilliance of glaze, as well as high durability of the material and finish. However, fine clay is subject to relatively high level of shrinkage 12-15% during firing process at extremely high temperatures reaching over 2200°F / 1200°C. This process results in unavoidable low levels of deviation from the originally intended perfect shape. Each lavatory is therefore slightly unique and closely inspected for proper fit with the accompanying vanity. LACAVA strives to ensure long-lasting beauty and performance of our sanitary ware for complete customer satisfaction.

#### Notes:

Drawings provided herein are meant to give the user an idea of the product and are not made to scale. The size in inches is rounded up to the nearest 1/16". Slight variances can often occur with porcelain and woodwork. Therefore, LACAVA will not be held responsible for any cutouts, countertops, or furniture made without the actual product or template from LACAVA. Differences in color, grain, appearance and texture are inherent in all natural woodwork, and should be expected. Variances in these qualities are not deemed manufacturing defects, and will not be accepted as valid reasons to return or exchange any LACAVA woodwork. Plumbing specifications are only a guideline and may need to be altered based on the application.

Product specifications are not binding to the manufacturer and can be changed without notice at any time. Please refer to your shipment for product final sizes.

LACAVA is committed to the highest level of customer service. Please feel free to contact us at 1-888-522-2823 (toll free) or by email at [info@lacava.com](mailto:info@lacava.com) for technical assistance or any general inquiries.

Rev. 03-03-2015