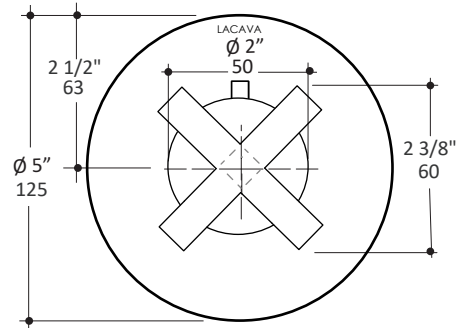


## Specifications:

<b>Installation:</b>	built-in wall mount
<b>Exterior Dimensions:</b>	Ø 5"
<b>Material:</b>	solid brass unibody construction with thermostatic cartridge
<b>Water use:</b>	10 GPM (43.5 PSI)
<b>Finishes:</b>	CR - polished chrome PN - polished nickel NI - brushed nickel BG - brushed gold 44 - matte black
<b>Fittings included:</b>	Rough-in # VTH0.1 and trim # 15TH0.X.R1-A



## Features:

- thermostatic valve
- round backplate
- cross handle
- 3/4" NPT water IN and OUT connections
- anti-scald protection & temperature regulation
- water temperature set to 100°F
- screwdriver service stops
- separate check valves with filters for easy servicing
- finished wall must be flush with mudguard as marked
- 1 1/8" extension kit available

## Codes + Standards:

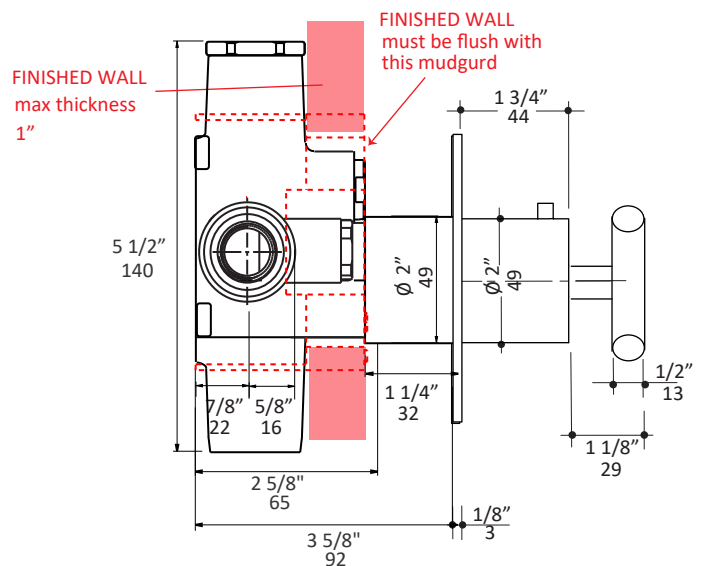
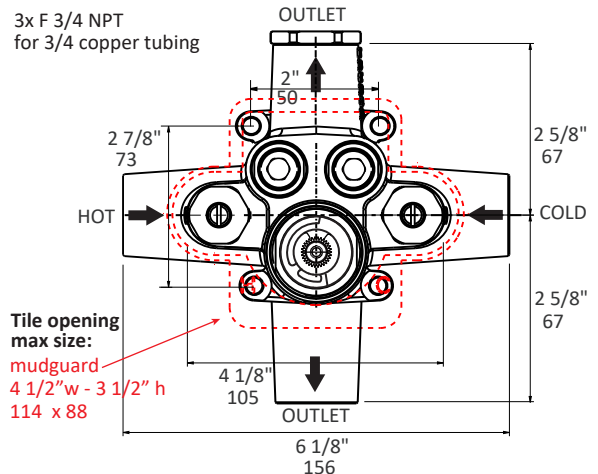
- Meets and exceeds applicable national codes and standards
  - ASME A112.18.1/CSA B125.1
  - ASSE 1016/ASME A112.1016/CSA B125.16



compliant when installed to specific requirements of this regulation

## Recommended Items:

- Replacement parts:
  - VTH0.1 rough-in
  - 15TH0.X.R1-A trim
  - R039 ceramic cartridge
  - VTH0.1-EX 1 1/8" extension kit



LACAVA reserves the right to revise any dimension or information on this sheet without notice. Dimensions are nominal and may vary within an industry accepted tolerance of 1/4". Drawings provided herein are meant to give the user an idea of the product and are not made to scale. Location of plumbing is meant for reference, your specific application may vary. Revised: 02/19/2024