

# LACAVA



## CIGNO built-in stop valve 15ST.C.R-CC/CL

### Specifications:

<b>Installation:</b>	built-in wall mount
<b>Exterior Dimensions:</b>	Ø 2 3/4"
<b>Material:</b>	solid brass construction ceramic cartridge
<b>Water use:</b>	12 GPM (43.5 PSI)
<b>Finishes:</b>	CR - polished chrome PN - polished nickel NI - brushed nickel BG - brushed gold 44 - matte black
<b>Fittings included:</b>	Rough-in # VST-CL or VST-CC and trim # 15ST.C.R-A

### Features:

- stop valve
- round backplate
- lever handle
- opens counterclockwise 15ST.C.R-CC (standard)
- opens clockwise 15ST.C.R-CL
- volume valve with 90° rotating angle
- 3/4" NPT water IN and OUT connections
- 1" extension kit available

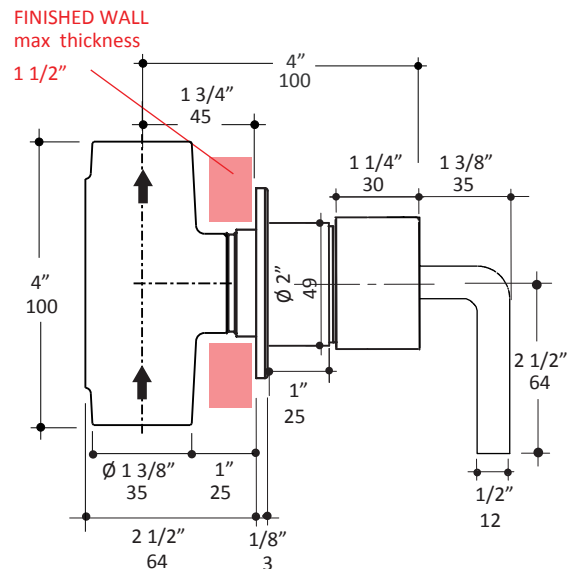
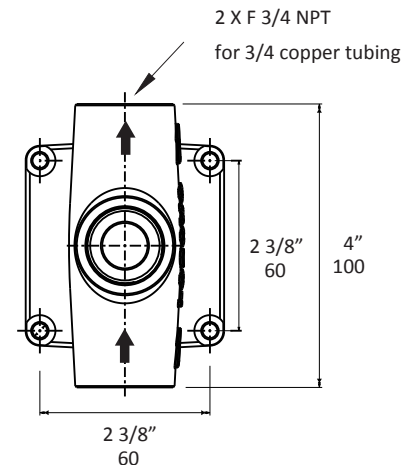
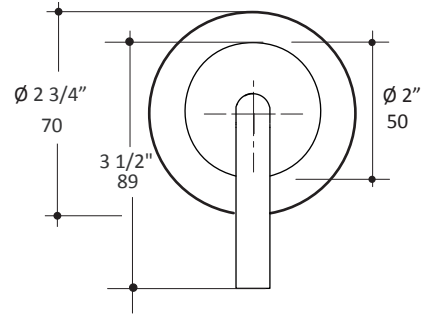
### Codes + Standards:

- Meets and exceeds applicable national codes and standards
- CAL-Green compliant

**ADA** compliant when installed to specific requirements of this regulation

### Recommended Items:

- Replacement parts:
  - VST-CC/CL rough-in
  - 15ST.C.R-A trim
  - VST-C ceramic cartridge
  - VST-EX 1" extension kit



LACAVA reserves the right to revise any dimension or information on this sheet without notice. Dimensions are nominal and may vary within an industry accepted tolerance of 1/4". Drawings provided herein are meant to give the user an idea of the product and are not made to scale. Location of plumbing is meant for reference, your specific application may vary.  
Revised: 02/16/2024