

### Specifications:

<b>Installation:</b>	Deck mount 3-hole, two levers	
<b>Exterior Dimensions:</b>	H: 8 1/2" SPOUT : 5 3/8"	
<b>Material:</b>	Solid brass construction	
<b>Water use:</b>	1.2 GPM	
<b>Pop-up:</b>	yes	
<b>Finishes:</b>	PS- polished brass	51- brushed brass
	PB- polished bronze	BB- brushed bronze
	CR- polished chrome	NI- brushed nickel
	PN- polished nickel	BG- brushed gold
	BK- black chrome	GM- gun metal
	TN- titanium	44- matte black
<b>Cutout Size:</b>	Ø 1 3/8"	
<b>Accessories included:</b>	24" flexible hot/cold water supply lines, pop-up drain	



### Features:

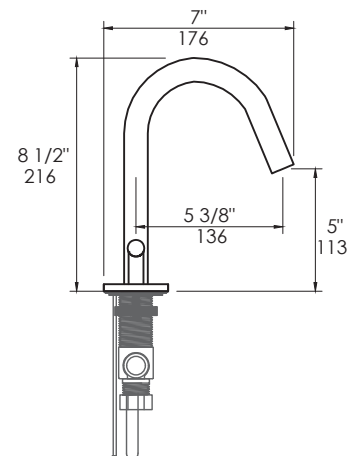
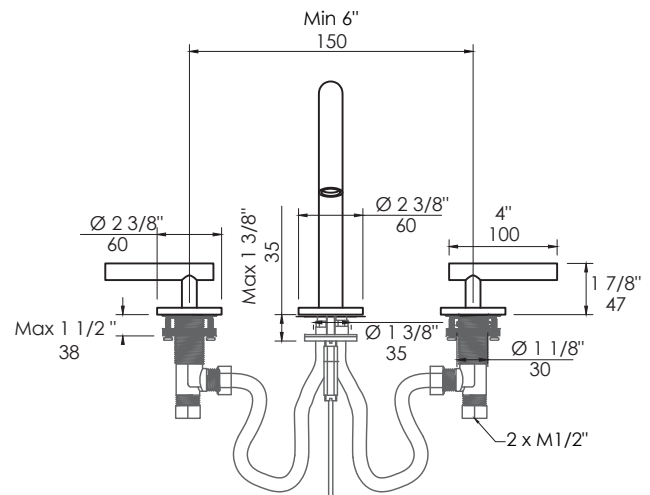
- Deck-mount three hole faucet with goose-neck spout and two lever handles
- Brass construction with hot and cold ceramic disc cartridges
- Complements the Cigno Collection
- Includes flexible supply lines and pop-up drain assembly

### Codes + Standards:

- Meets and exceeds applicable national codes and standards
  - ASME A112.18.1/CSA B125.1
  - NSF/ANSI/CAN61
  - NSF/ANSI/CAN372
  - CalGreen/CEC
- Compliant with California AB-100



**ADA** compliant when installed to specific requirements of this regulation



### Recommended Items:

- Replacement parts:
  - 1582-AERATOR - Replacement aerator cartridge
  - R025-26 - Replacement ceramic disc cartridge pair
- European drain with overflow
- 7100-12 pop-up drain

LACAVA reserves the right to revise any dimension or information on this sheet without notice. Dimensions are nominal and may vary within an industry accepted tolerance of 1/4". Drawings provided herein are meant to give the user an idea of the product and are not made to scale. Location of plumbing is meant for reference, your specific application may vary.