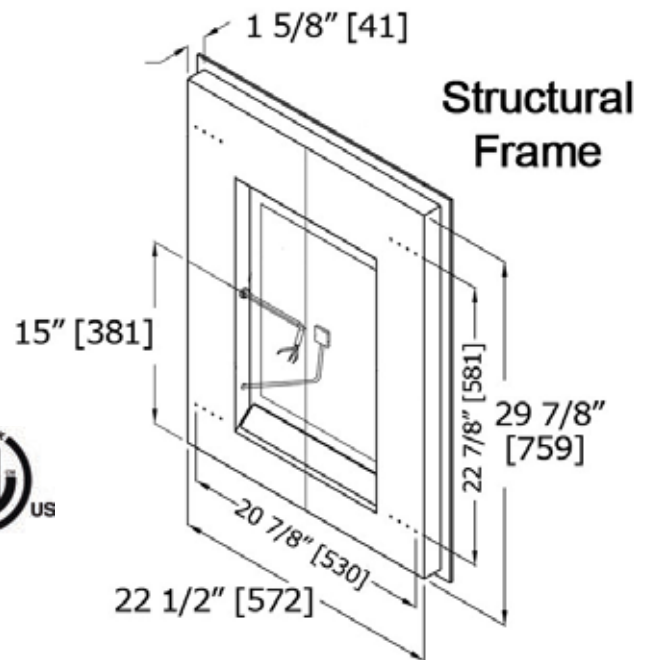
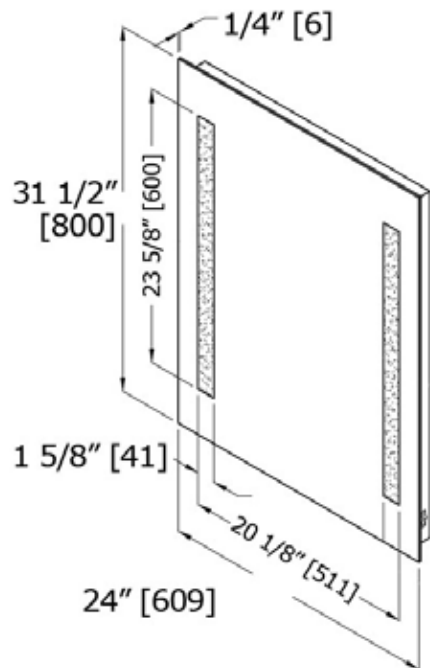


# LED BACK Lit MIRRORS

## 6000 KELVIN

**MO0535LA** [1584 LUMENS / 17.28 WATTS]



LALOO ACCESSORIES  
lalo.ca  
866.305.2566  
SERVICE@lalo.ca