

1006ADA
Corner Safety Bar with shelf

LALOO ACCESSORIES
SERVICE@LALOO.CA
866-305-2566



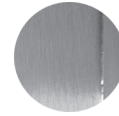
Weight capacity - 451lbs [205kg]

Safety bar complies with the accessibility standards of the Americans with Disabilities Act.

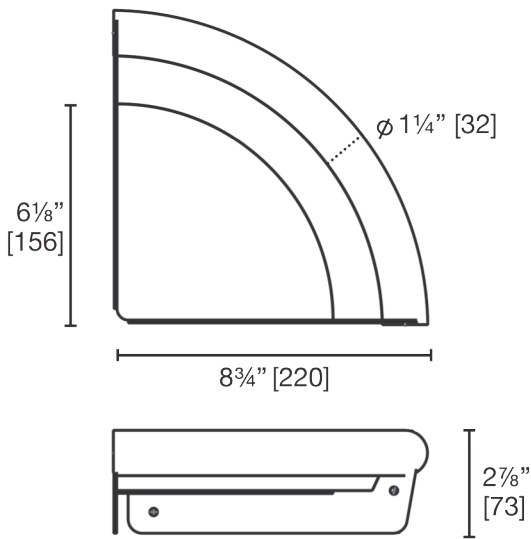
Available Finishes



PS polished stainless



BS brushed stainless



Complementary Accessories

angled grab bar 18 1/8
1013



decorative safety bar
1010ADA



Use metric dimensions for greatest accuracy. Specifications are subject to change without notice.

A
CELEBRATION
of ART &
FUNCTION