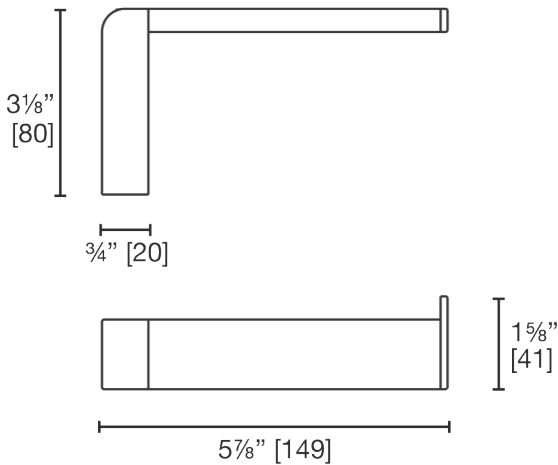


E1286  
Paper Holder

LALOO ACCESSORIES  
SERVICE@LALOO.CA  
866-305-2566



Inside paper width  
5" [127]



**Available Finishes**

-  C chrome
-  PN polished nickel
-  BN brushed nickel
-  GD polished gold
-  BG brushed gold
-  MB matte black
-  WF white frost
-  SG stone grey

**Complementary Accessories**

- robe hook
- single towel bar
- single towel bar - small
- extended double towel bar
- hand towel ring
- hand towel bar
- single glass shelf



*Use metric dimensions for  
greatest accuracy.  
Specifications are subject to  
change without notice.*

A  
CELEBRATION  
of ART &  
FUNCTION