

**2045H C**  
 LED Wallmount Swing Mirror  
 with acrylic face

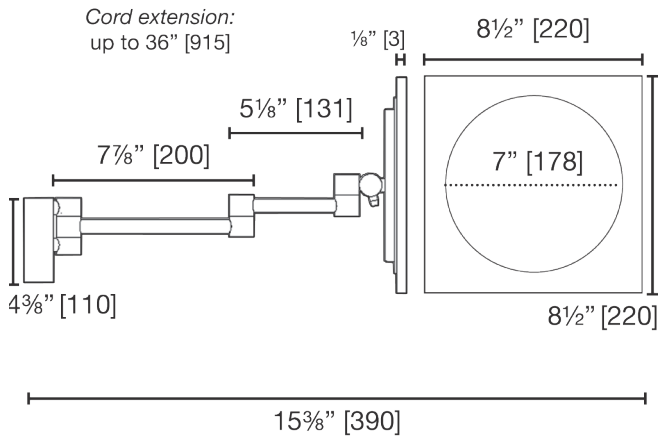
**LALOO ACCESSORIES**  
 SERVICE@LALOO.CA  
 866-305-2566



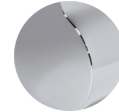
junction box required for hardwire



Magnification - **5x**  
 Wattage - **4.2**  
 Voltage - **110**  
 Kelvin - **6000**  
 Lumens - **504**



**Available Finishes**



C chrome

**Complementary Accessories**

floor stand towel bar  
**9016**



bowl brush and holder  
**9300**



*Use metric dimensions for  
 greatest accuracy.  
 Specifications are subject to  
 change without notice.*

A  
 CELEBRATION  
 of ART &  
 FUNCTION