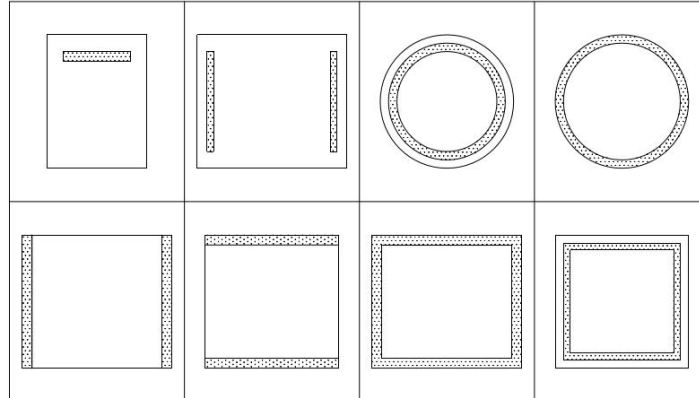




INSTALLATION INSTRUCTIONS



Apply to the below style of LED Backlit Mirrors



Please read carefully and save these instructions.

Don't discard any of the packaging until you are sure that you have all of the parts and the fittings.

Make sure power to the junction box is off before commencing installation.

IMPORTANT

- Unpack mirror and structural frame. DO NOT lay mirror on tiled or concrete surface prior to installation. Mirror must be on protected surface to prevent chipping of the corners.
- Care must be taken before drilling pilot holes to avoid any existing wiring or pipe work that may be concealed.
- A certified electrician must perform all work. The mirror must be connected to a GFI.

INSTALLATION

Please refer the installation diagram on the back of the page.

- 1) Unpack the LED mirror and prepare tools needed .(See Pic.1)
- 2) Measure the distances between the mounting holes on the aluminum frame,Mark the screw positions with ruler and pencil according to the distances between the mounting holes on the aluminum frame(see picture 2);
- 3) Drill holes for screws, and put in the expansion rubber plug, then Fix screw on the wall.(See Pic.3&Pic.4);
- 4) Connect the cable before hanging the LED mirror to the 4 screws on the wall.The way for connecting wires: Black wire to Live Terminal (L), White wire to Neutral Terminal (N), Green wire to Earth Terminal (E) (120V, 60Hz) (See Pic. 5);
- 5) Turn the power on. Three buttons Dimmable Sensor switches will take up to 5 minutes to activate after power is live.

Button 1: power control for LED Light and Defogger;

Button 2: Color Temperature control, 3000K~6000K adjusting. Press the button (tip on it), it will change from one level to another level(warm yellow 3000k-warm white 4000k- cold white 6000k); Long press, it will change gradually (3000k~6000k);

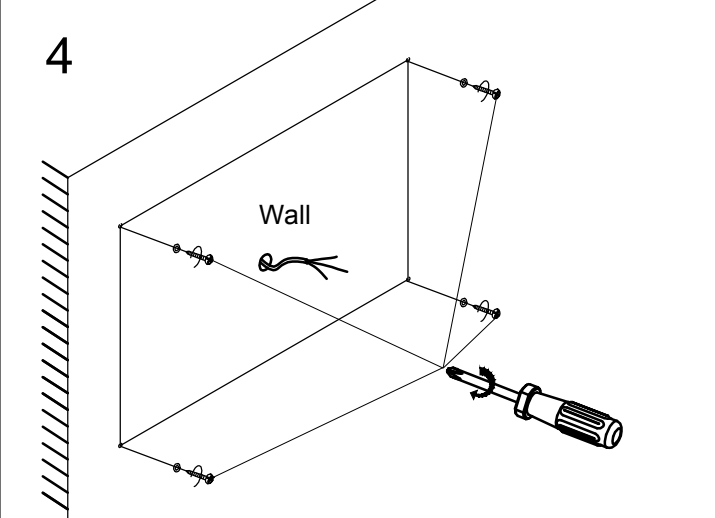
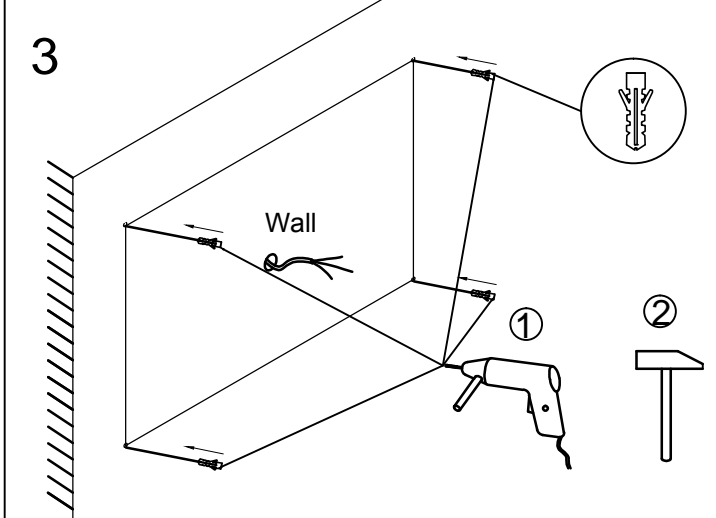
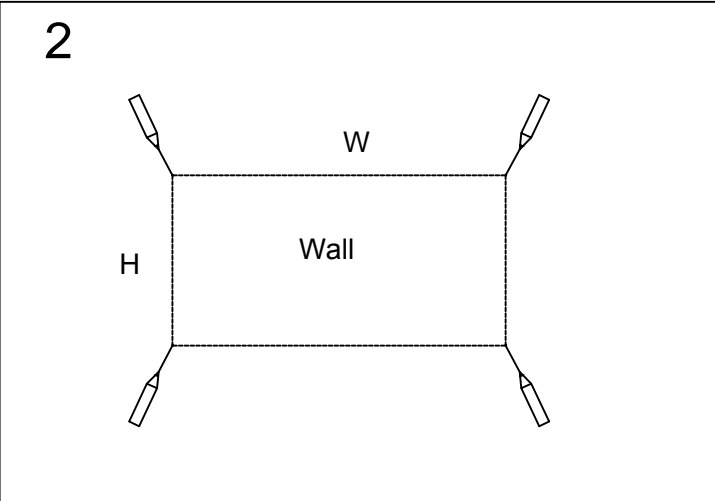
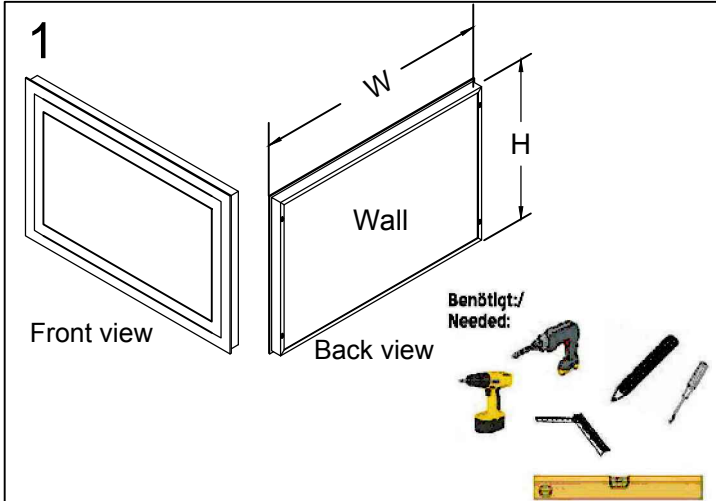
Button 3: Brightness adjusting; Press the button (tip on it), LED Light Brightness will change from one level to another level(5%,30%,60%,100%); Long press the button, the brightness will change gradually(5%~100%);

- 6) The anti-fog mat operates only when the mirror is on.

MAINTENANCE

Wipe clean with a soft damp cloth. Apply glass cleaner to cloth and do not apply directly to mirror.

Never use abrasive cleaners as these could damage the finish or exposed LED strips.



5

WIRING DETAILS

<p>INCOMING SUPPLY</p> <p>SWITCHED LIVE ——— L</p> <p>EARTH (GREEN/YELLOW SLEEVED COPPER) ——— ⊕</p> <p>NEUTRAL ——— N</p>	<p>MIRROR WIRING</p> <p>— BLACK or LABELED - L</p> <p>⊕ GREEN - E</p> <p>— WHITE or LABELED - N</p>
--	--

Detail

Side view

Wall line

a

Mirror Light Power Input