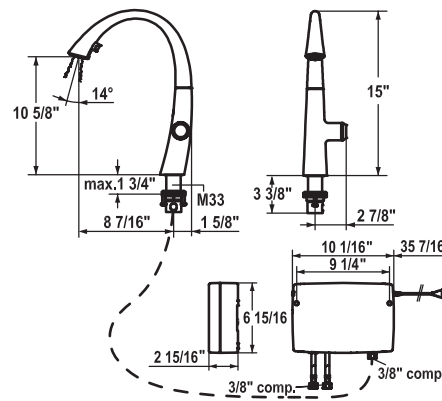


# KWC ZOE touch light PRO



KWC-No.	Finish
<b>10.201.242.000</b>	chrome

A 8 7/16", flexible connection hoses, plug power supply

## Kitchen with LEDShine, touch light PRO

Electronic controlled

- touch light PRO technology
- touch'n'flow 1-2-3
- 3 preset temperatures and flow rates
- Position of control unit only possible on the right side
- gap between wall and centre of mounting hole min. 1 5/8"
- Microprocessor-control
  - touch'n'flow 1: cold water, flow rate can be individually adjusted and saved
  - touch'n'flow 2: warm water, flow rate can be individually adjusted and saved
  - touch'n'flow 3: hot water, flow rate can be individually adjusted and saved
  - with cleaning program
  - duration of water flow - safety indication: switch off automatically after 10 minutes
  - temperature limit can be adjusted
  - hot water disinfection (5 minutes) can be adjusted
  - can be restored to factory settings
- Covered pull-out spray
  - ergonomic spout alignment, shape and handling
  - SprayClean - easy to clean and actively prevents limescale buildup
  - Neoperl® Cascade®
  - PowerClean - needle spray mode, with automatic diverter reset
  - integrated ON/OFF push-button with automatic shut-off after 30 minutes
  - up to 19 1/16" pull-out length
  - hose surface to fit faucet surface
- Hose guide, swiveling 270°
- touch light PRO control unit, maintenance-free
  - up-to-date microprocessor and drive technology
  - tried-and-tested valve technology
  - incl. installation materials
  - designed for wired connection to 1 operating unit (standard)
- Flexible connection hoses 3/8" compression

- Fastening by means of threaded sleeve M33 x 1.5
- Mounting hole size  $\varnothing 1 \frac{3}{8}$ "
- Delivery includes:
  - Plug power supply 100-240 V / operating voltage 15 V / cable length 35 7/16"
- To be ordered separately (optional or if necessary):
  - Extension set 1500 mm Z.536.352, comprising: stainless steel hose 1500 mm, 3/8" x 3/8", double nipple, sealing material

Flow rate max 1.75 gpm (60 psi)

Flow rate needle spray max 1.75 gpm (60 psi)