

KA1US17B

17 Inch Undermount Single Bowl Stainless Steel Kitchen Sink

Kräus[®]

SPECIFICATION SHEET

Sink Dimensions

Overall Dimensions: 16 7/8" x 18 3/4"

Bowl Dimensions: 15 1/8" x 17"

Bowl Depth: 9"

Features

- 16 Gauge Stainless Steel Construction
- Type 18/10 Antibacterial Antibacterial Properties
 - 99.9% reduction of bacteria
 - Escherichia coli
 - Staphylococcus
- Single Bowl Undermount Sink
- Required Minimum Cabinet Size: 21" Left to Right, 24" Front to Back
- Rear Center-Set Drain
- 3 1/2" Drain Opening
- NoiseDefend Undercoating and Sound Dampening Pads

Accessories Included

- Strainer ST-4
- Bottom Grid BG1517
- Cut-Out Template
- Mounting Hardware

CODES/STANDARDS:

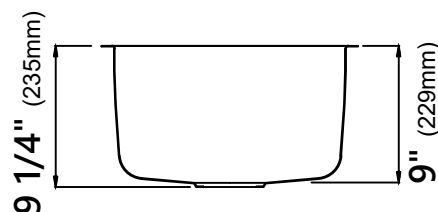
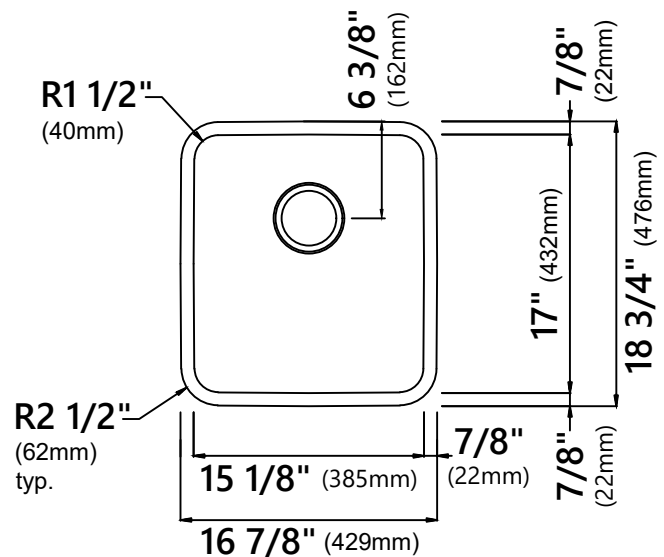
Product Certification

cUPC (ASME A112.19.3/CSA B45.4), MASS

Warranty

Kraus Limited Lifetime Warranty

see website for details www.kraususa.com



BG1517

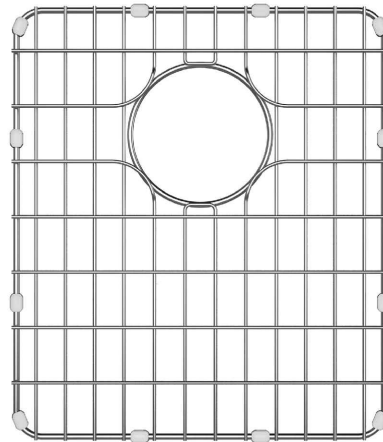
Stainless Steel Kitchen Sink Bottom Grid

Grid Dimensions

Overall Dimensions: 14 3/4" x 12 7/8" x 3/8"

Features

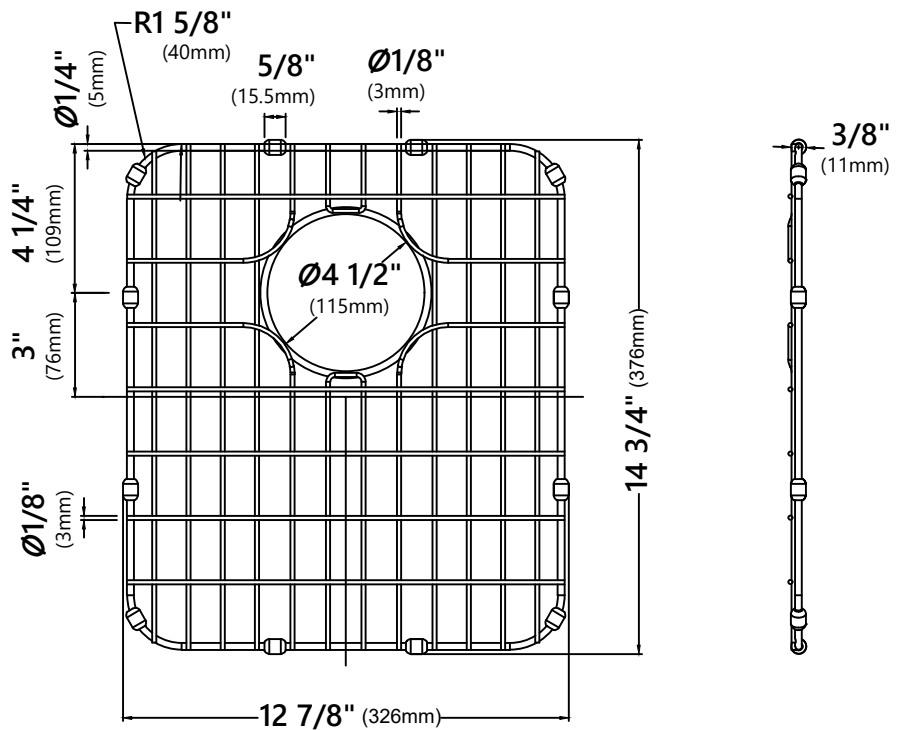
- Commercial grade stainless steel construction
- For Use with the KA1AS17B, KA1US17B, KA1UD33B and KD1US17B kitchen sinks
- Protects bottom of sink from daily wear and tear
- Rubber feet provide additional protection



Warranty

Kraus One Year Limited Warranty

see website for details www.kraususa.com



ST-4

Stainless Steel Kitchen Sink Strainer

Strainer Dimensions

Overall Dimensions: $\phi 1\frac{1}{2}''$ x $2\frac{5}{8}''$

Features

- Premium Stainless Steel construction
- Fits Standard $3\frac{1}{2}''$ or $4''$ Drain Opening
- Removable Strainer Prevents Debris from Clogging Drain Pipe
- Tailpiece Included
- Decorative Stainless Steel Cover Fits Over Drain



Warranty

Kraus 1 Year Limited Warranty

see website for details www.kraususa.com

