

KHU101-24L

24 Inch Handmade Undermount
Single Bowl Laundry & Utility Sink

Kräus[®]

SPECIFICATION SHEET

Sink Dimensions

Overall Dimensions: 24" x 18 1/2"

Bowl Dimensions: 22 1/2" x 17"

Sink Depth: 12"

Features

- 16 Gauge Stainless Steel Construction
- Undermount Installation
- Single Bowl Handmade Sink
- Required Minimum Cabinet Size: 27" Left to Right, 24" Front to Back
- Rear Center-Set Drain
- 3 1/2" Drain Opening
- NoiseDefend Undercoating and Sound Dampening Pads

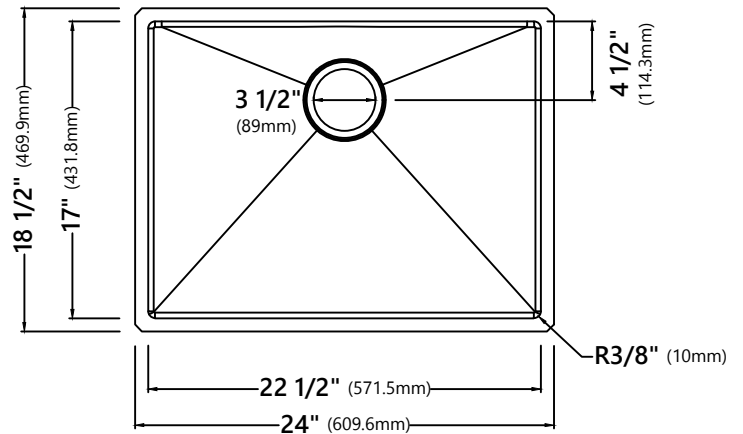
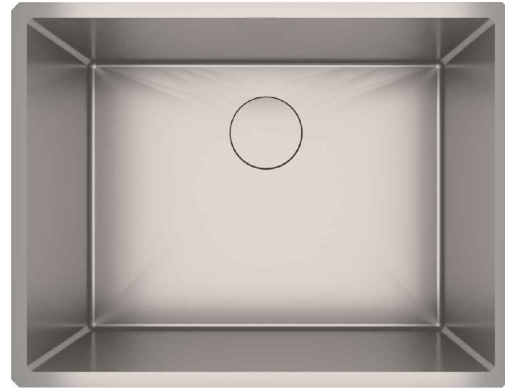
Accessories Included

- Strainer ST-1
- Drain Cap STC-2
- Bottom Grid KBG-101-24
- Cut-Out Template
- Mounting Hardware

CODES/STANDARDS:

Product Certification

cUPC (ASME A112.19.3/CSA B45.4)



Warranty

Kraus Limited Lifetime Warranty

see website for details www.kraususa.com