

KTM25

25 Inch Top Mount Single Bowl Stainless Steel Kitchen Sink

Kräus®

SPECIFICATION SHEET

Sink Dimensions

Overall Dimensions: 25" x 22"

Bowl Dimensions: 21" x 15 3/4"

Sink Depth: 9"

Features

- 18 Gauge Stainless Steel Construction
- Single Bowl Top Mount Sink
- Required Minimum Cabinet Size: 30" Left to Right, 24" Front to Back
- Center-Set Drain
- 3 1/2" Drain Opening
- NoiseDefend Undercoating and Sound Dampening Pads

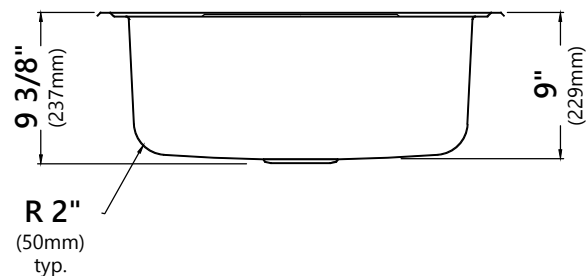
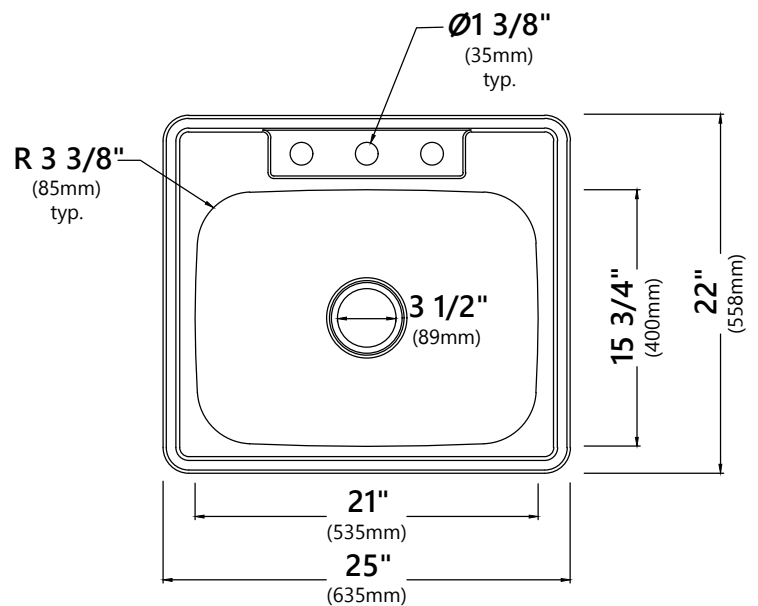
Accessories Included

- Strainer ST-1
- Cut-Out Template
- Mounting Hardware
- Towel

CODES/STANDARDS:

Product Certification

cUPC (ASME A112.19.3/CSA B45.4)



Warranty

Kraus Limited Lifetime Warranty

see website for details www.kraususa.com

ST-1

Stainless Steel Kitchen Sink Strainer

Strainer Dimensions

Overall Dimensions: $\phi 4 \frac{1}{2}$ " x $3 \frac{3}{4}$ "

Features

- Premium Stainless Steel construction
- Fits Standard $3 \frac{1}{2}$ " or 4" Drain Opening
- Open/Close Stopper Prevents Debris from Clogging Drain Pipe

Available Finishes

- Stainless Steel



Warranty

Kraus Limited Lifetime Warranty

see website for details www.kraususa.com

