

Kräus[®]

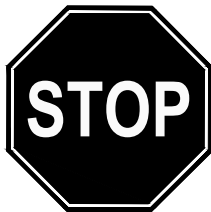
INSTALLATION MANUAL

Elavo™ White Ceramic Undermount Bathroom Sinks w/ Overflow

KCU-242, KCU-243, KCU-244,
KCU-272, KCU-273

Congratulations on the purchase of your new Kraus® plumbing fixture!

Please keep the box and packaging materials until your product is completely installed. If you have any questions, require technical assistance or have any problems with your product:



DO NOT RETURN TO STORE

**Please contact our Customer Service Team
1-800-775-0703 / customerservice@kraususa.com**

Have the model number available and retain a copy of your receipt with purchase date for reference.

If for any reason this product does not meet your expectations, please be sure to repack this product in the original box and packaging material to avoid damage during transit.



Prior to Installation:

- Make sure that you have all necessary parts by checking the parts list. If any part is missing or damaged, please contact Kraus® Customer Service at 800-775-0703 for a replacement.
- Inspect the sink prior to installation to make sure that it has not been cracked or chipped during shipping.
- Use the cut-out template provided by Kraus
- Observe all plumbing and building codes according to your state requirements
- Additional floor and wall preparation may be required to avoid damaging the sink

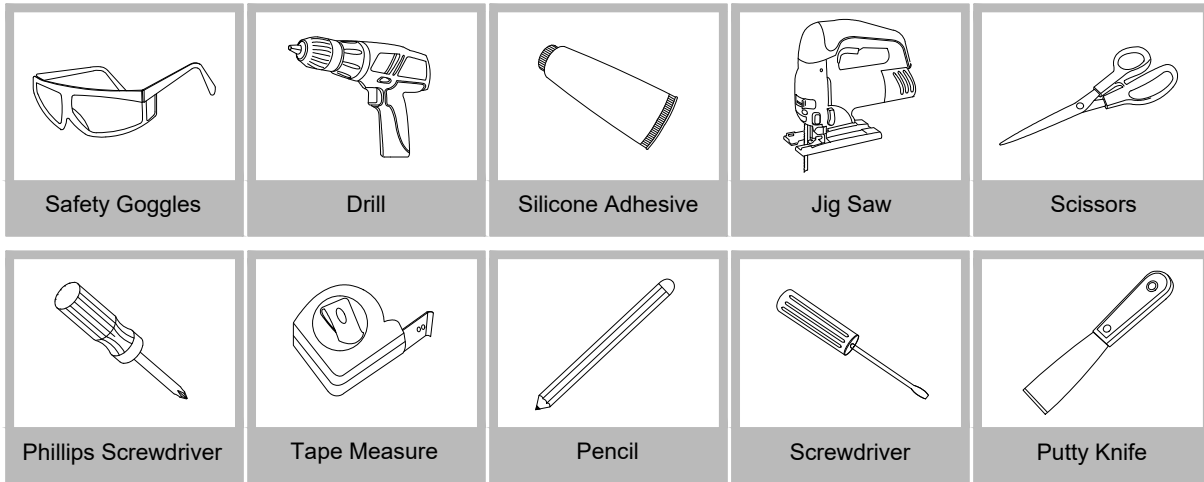
WARNING: This product is fragile and can break, chip or cause injury if handled recklessly. Please consult with a professional when installing.

For technical assistance or replacement parts, please contact Kraus Customer Service and one of our representatives will be happy to help:

Toll-Free: 800-775-0703 or customerservice@kraususa.com

The step-by-step guidelines in the installation instructions are a general reference for installing a Kraus Sink. Should there be any discrepancies, Kraus cannot be held liable. It is recommended to install all Kraus products by hiring a licensed professional.

Tools you will need

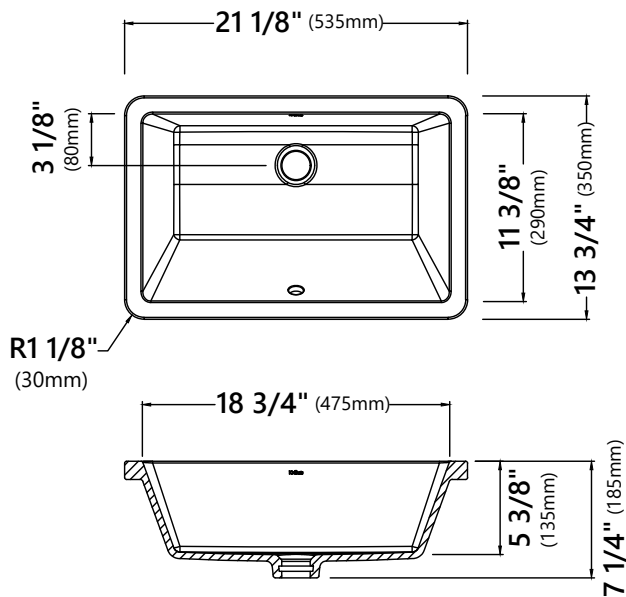


NOTE: Specialized tools may be necessary to install Kraus® Ceramic Undermount sinks with countertop materials other than wood, marble, or granite

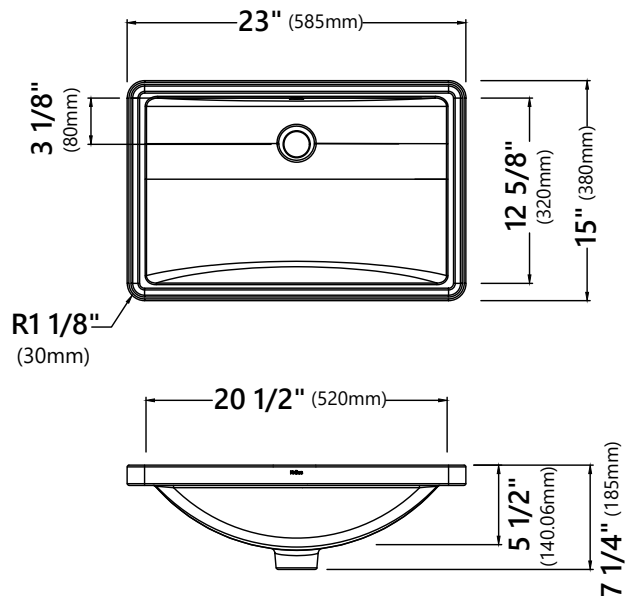
Parts List (included)

- Cut-Out Template
- Mounting Hardware

Dimensions

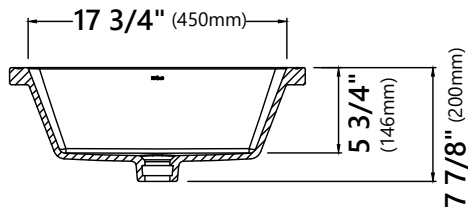
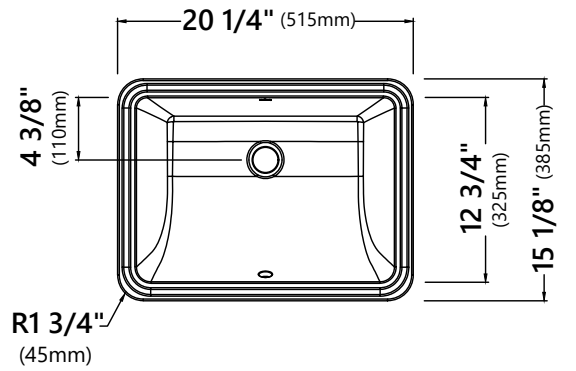


KCU-242
21 1/8" x 13 3/4" x 7 1/4"

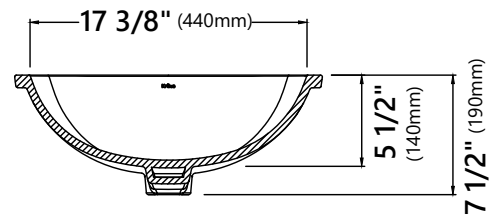
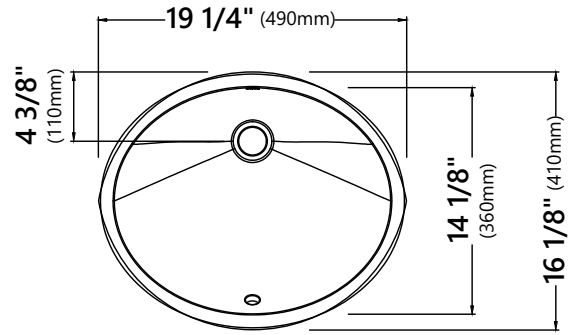


KCU-243
23" x 15" x 7 1/4"

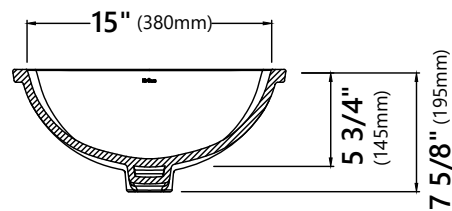
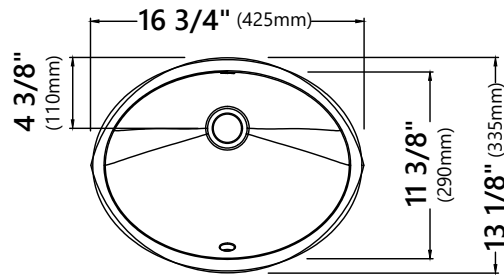
Dimensions



KCU-244
20 1/4" x 15 1/8" x 7 7/8"



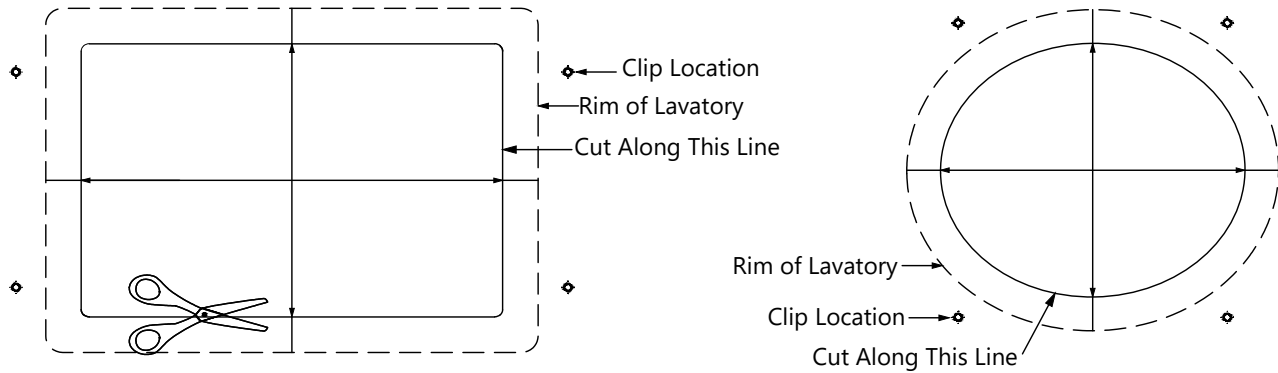
KCU-272
19 1/4" x 16 1/8" x 7 1/2"



KCU-273
16 3/4" x 13 1/8" x 7 5/8"

1. Cut paper template

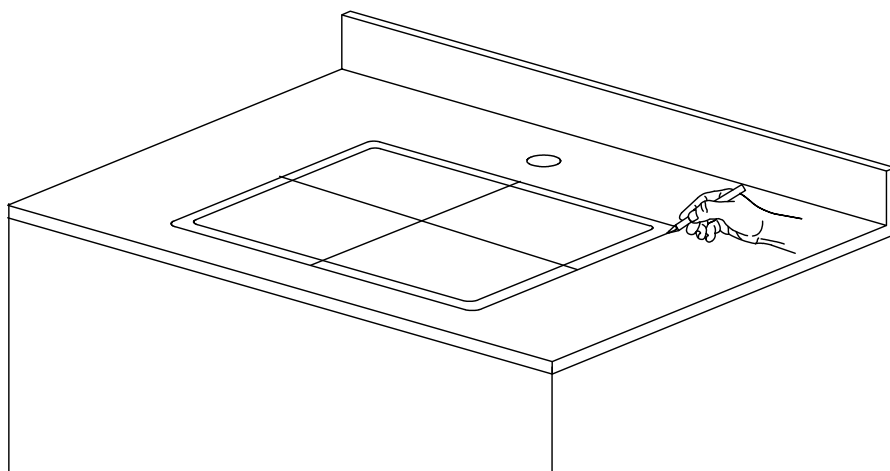
- Use scissors to cut along the inside line of the paper template.



2. Trace template

- Compare cut template with sink to ensure proper size.
- Place the cut-out template in the desired location on the countertop and trace with a pencil.
- Mark the faucet hole centerline on the countertop using the vertical line in the center of the paper template.

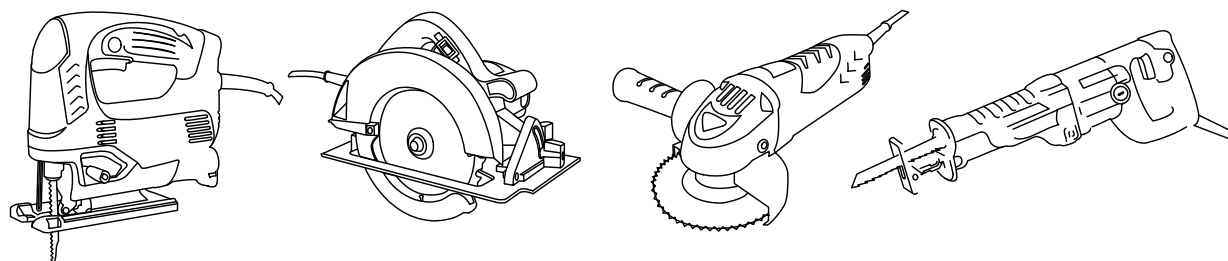
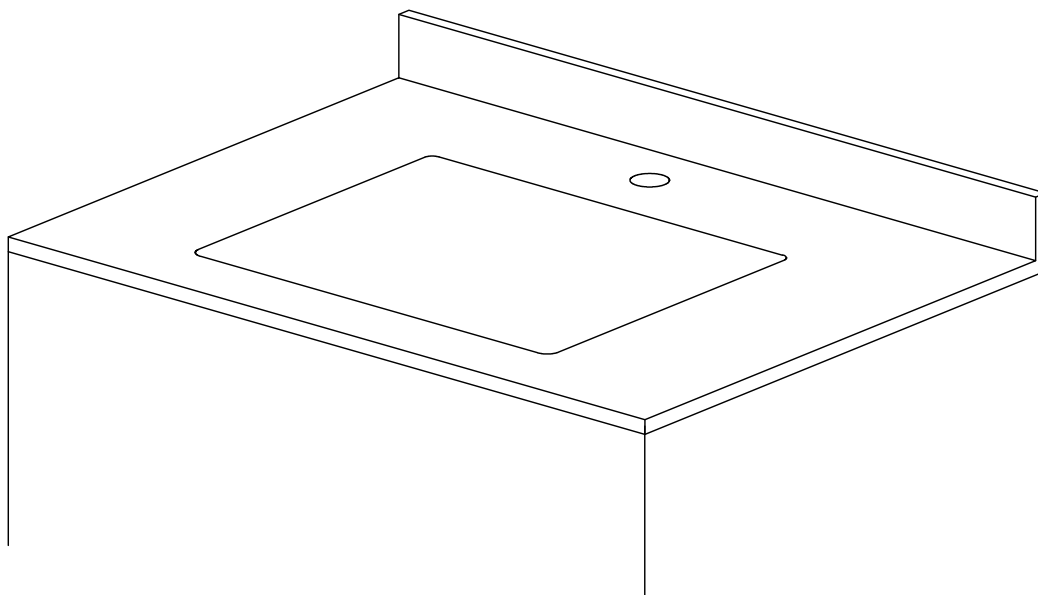
NOTE: Make sure clearance is suitable for backsplash, faucet, and sink plumbing.



3. Cut countertop

- Cut the countertop opening by carefully following the pencil line traced from the template.

NOTE: Please use the appropriate saw that best fits your countertop material.

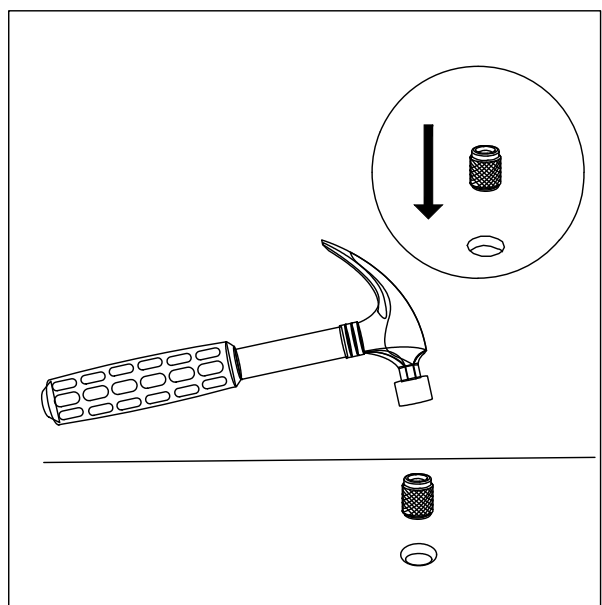
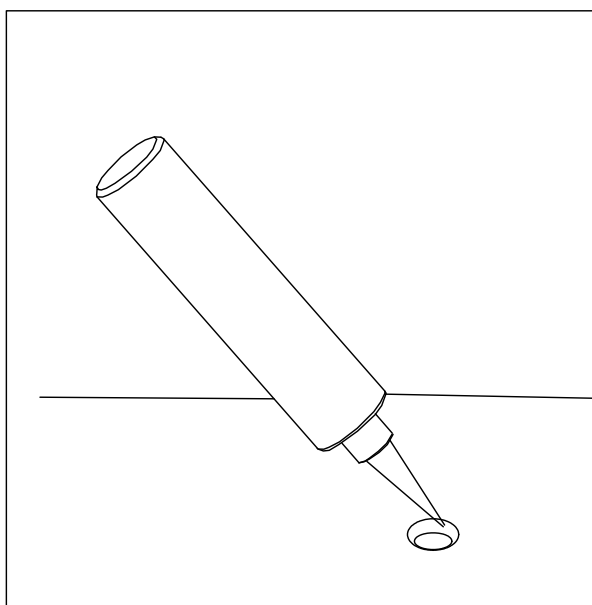
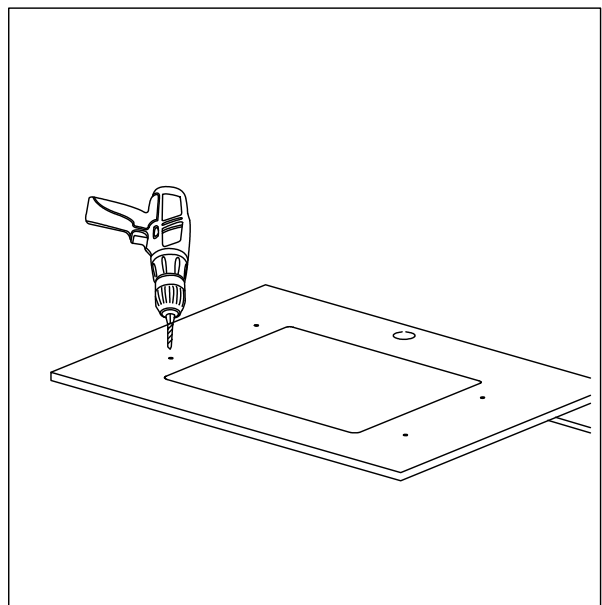
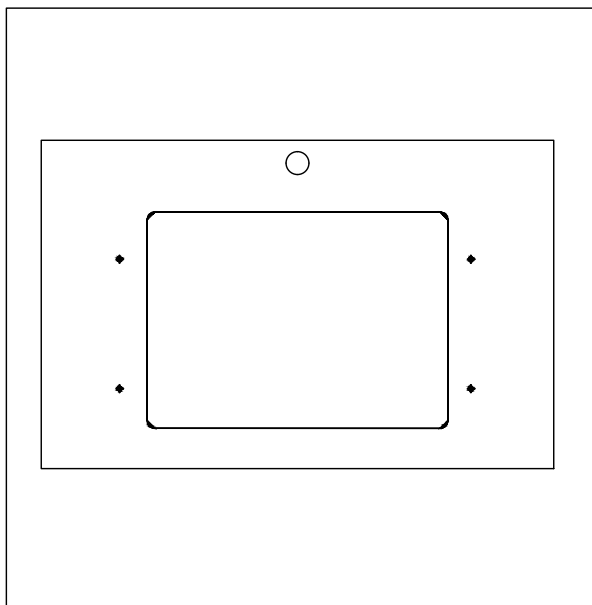


4. Install anchors

- Flip countertop over and place on a foam pad for protection. Use cutout template to mark the anchor placement on the countertop. Drill 5/16" diameter x 3/8" deep hole in countertop.
- Place epoxy in the drilled hole. Insert brass nut anchors into the drilled hole and wait until the epoxy cures.

NOTE:

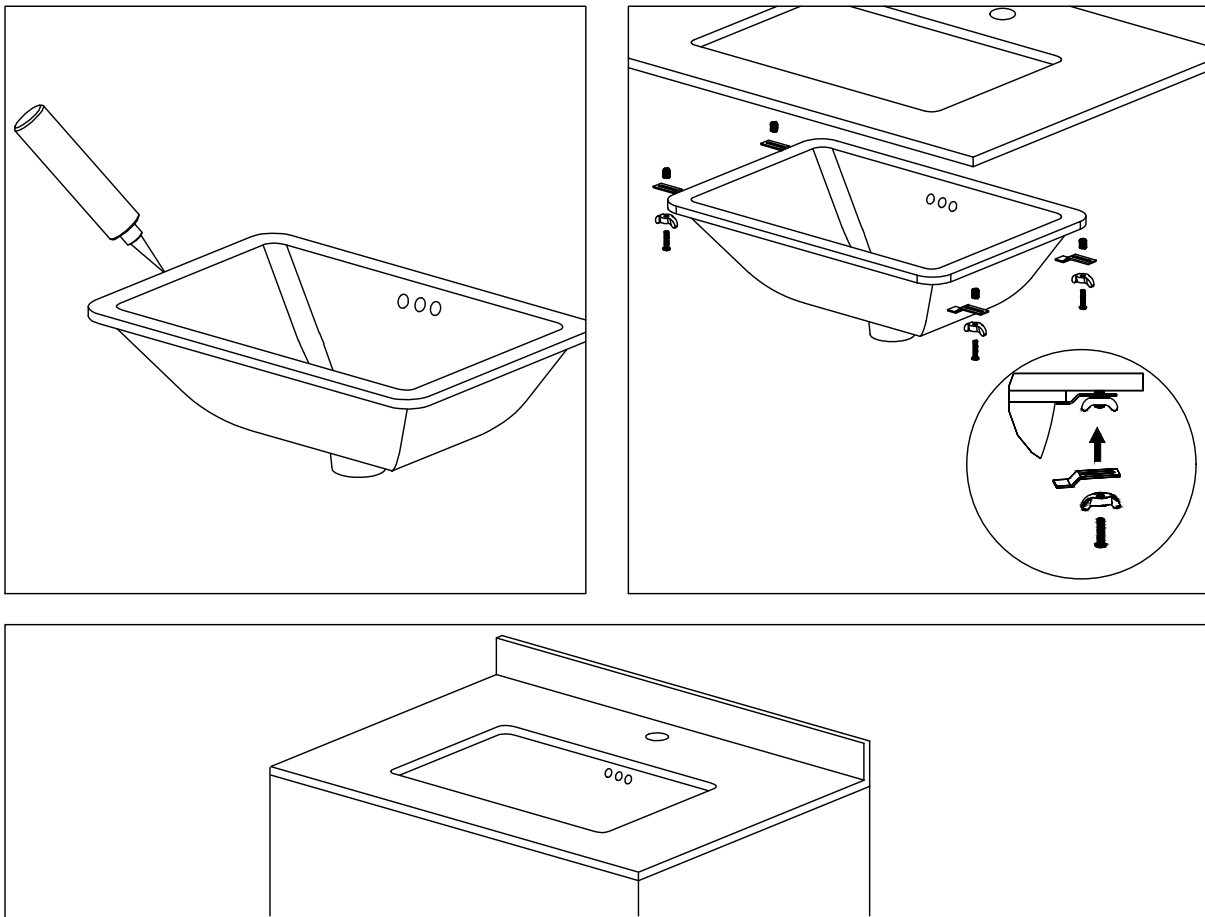
- Please check epoxy directions for curing time.
- Please tap brass nut anchors lightly with hammer.



5. Install sink

- Use a bead of clear silicone (or preferred adhesive) around the rim of the sink. Check the alignment of the sink to the opening in the countertop. Place sink over cutout hole and press firmly.
- Attach mounting hardware to secure bowl. Remove excess sealant from inside lip.
- Allow sealant to set for 30 – 60 minutes.

NOTE: Use acetone or rubbing alcohol to remove any excess sealant.



6. Install plumbing fixtures

- Connect drain to sink. Connect trap to drain. Connect water supply connections to faucet according to manufacturer's instructions.
- Run water into sink and check for leaks.

Codes/Standards Applicable:



Ceramic Bathroom Sink - Lifetime Limited Warranty

Kraus® USA Plumbing, LLC ("Kraus") extends this warranty to the original purchaser for personal household use of the Ceramic Bathroom Sink when purchased from an authorized Kraus dealer and in the location of original installation. This warranty is non-transferable.

Kraus warrants the structure and finish of the Ceramic Bathroom Sink to be free from defects in material and workmanship under normal usage for as long as the original purchaser resides in the residence in which the Ceramic Bathroom Sink was first installed.

Any product reported to the authorized dealer or to Kraus as being defective within the warranty period will be repaired or replaced with a product of equal value at the option of Kraus.

Commercial Warranty

Kraus USA Plumbing, LLC ("Kraus") warrants its Products for a period of one (1) year to commercial purchasers of Products used in industrial, commercial and business applications.

Care and Cleaning Instructions

Certain cleaning products may cause damage to a Product's finish and use of the following on the Product will void this warranty:

- Abrasive cleaners such as powders, bleach, ammonia, alcohol or chlorine
- Abrasive pads, steel wool or wire brushes

What is Not Covered

This warranty does not cover Products that were discontinued when purchased or display Products, whether such Products were purchased at discount outlets, unauthorized dealers, and/or sold on clearance. This warranty does not cover any free gifts included with purchase.

This warranty does not cover damage resulting from neglect, misuse (including use for an unintended application), abuse, carelessness, accident, hard water or mineral deposits, exposure to corrosive materials, improper maintenance, alteration of the Product, or failure to follow care, cleaning or installation instructions enclosed with your Product. Kraus recommends that all Kraus Products be installed by a fully licensed and insured trade professional with experience in the installation of bathroom and/or kitchen manufactured goods.

How to Make a Warranty Claim

If you are a **consumer purchaser**, please contact a Kraus® Customer Service Representative at:

Kraus USA Plumbing, LLC
12 Harbor Park Drive
Port Washington, NY 11050
Toll-free 800-775-0703
Customerservice@kraususa.com

If you are a **plumbing contractor or trade professional**, please contact a Kraus Pro Representative at:

Kraus USA Plumbing, LLC
12 Harbor Park Drive
Port Washington, NY 11050
516-801-8955
Proservice@kraususa.com

If you are an **authorized partner**, please contact a Partner Support Representative at:

Kraus USA Plumbing, LLC
12 Harbor Park Drive
Port Washington, NY 11050
516-801-8954
Partnersupport@kraususa.com

In requesting warranty service, please be ready to provide your proof of purchase and a description of the problem. Shipping charges will be covered for the first (1) year of the warranted replacement part or product (HI, AK, and Puerto Rico shipping charges may apply). International shipping fees are not included.

Limitation on Duration of Implied Warranties

Please note that some states/provinces (including Quebec) do not allow limitations on how long an implied warranty lasts, so the below limitations may not apply to you. TO THE MAXIMUM EXTENT PERMITTED BY APPLICABLE LAW, ANY IMPLIED WARRANTY, INCLUDING THE IMPLIED WARRANTIES OF MERCHANTABILITY AND OF FITNESS FOR A PARTICULAR PURPOSE, IS LIMITED TO THE STATUTORY PERIOD OR THE DURATION OF THIS WARRANTY, WHICHEVER IS SHORTER.

Limitation of Special, Incidental or Consequential Damages

Please note that some states/provinces (including Quebec) do not allow the exclusion or limitation of special, incidental or consequential damages, so the below limitations and exclusions may not apply to you. TO THE MAXIMUM EXTENT PERMITTED BY APPLICABLE LAW, THIS WARRANTY DOES NOT COVER, AND KRAUS USA PLUMBING, LLC SHALL NOT BE LIABLE FOR, ANY SPECIAL, INCIDENTAL OR CONSEQUENTIAL DAMAGES (INCLUDING LABOR CHARGES TO REPAIR, REPLACE, INSTALL OR REMOVE THIS PRODUCT), WHETHER ARISING OUT OF BREACH OF ANY EXPRESS OR IMPLIED WARRANTY, BREACH OF CONTRACT, TORT, OR OTHERWISE.

This warranty gives you specific legal rights, and you may also have other rights which vary from state/province to state/province.

IMPORTANT

Register Your Kraus Product

Activate Your Warranty

Access Premium Customer Support

Get Product Information

REGISTER TODAY

<http://www.kraususa.com/registration>



Kräus[®]
www.kraususa.com