

# Kräus<sup>®</sup>

INSTALLATION GUIDE

## Ramus<sup>™</sup> Single Handle Basin Faucet

KBF-1221

## **Congratulations on the purchase of your new Kraus plumbing fixture!**

Please keep the box and packaging materials until your product is completely installed. If you have any questions, require technical assistance, or have any problems with your product:



**DO NOT RETURN TO STORE**

**Please contact our Customer Service Team**

**1-800-775-0703 / [customerservice@kraususa.com](mailto:customerservice@kraususa.com)**

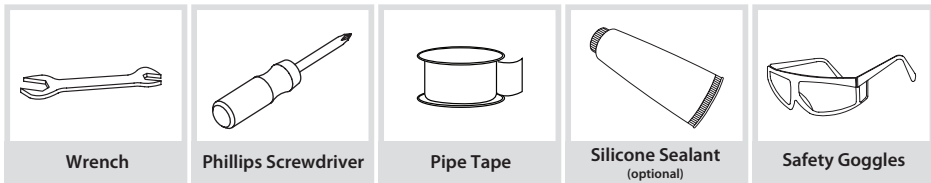
Have the model number available, and retain a copy of your receipt with purchase date for reference.

If for any reason this product does not meet your expectations, please be sure to repack this product in the original box and packaging material to avoid damage during transit.

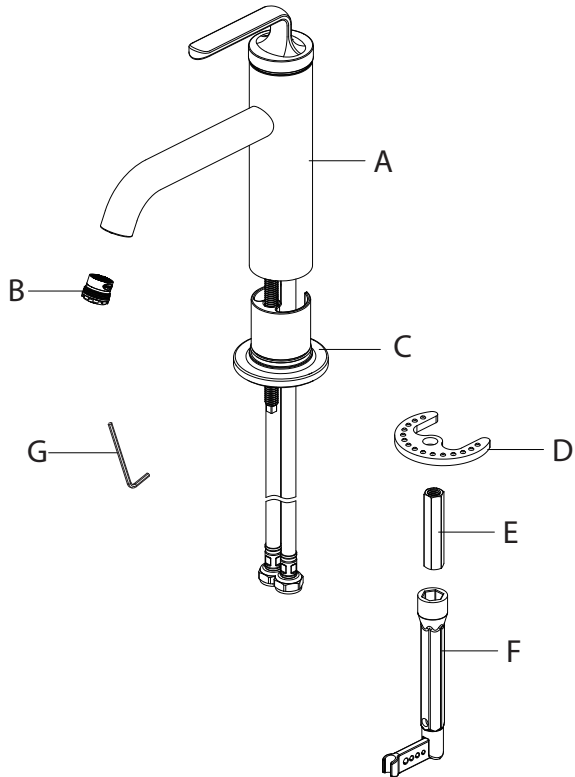
## Prior to Installation:

- Make sure you have all necessary parts by checking the diagram and parts list. If any part is missing or damaged, please contact Kraus Customer Service at 800-775-0703 for a replacement
- Turn off the hot and cold water lines at the angle stops and turn on the old faucet to release any built-up pressure
- Pre-drilled countertop hole size requirement: 1-3/8"(min)
- Max countertop thickness: 2 5/8"

## Tools you will need:

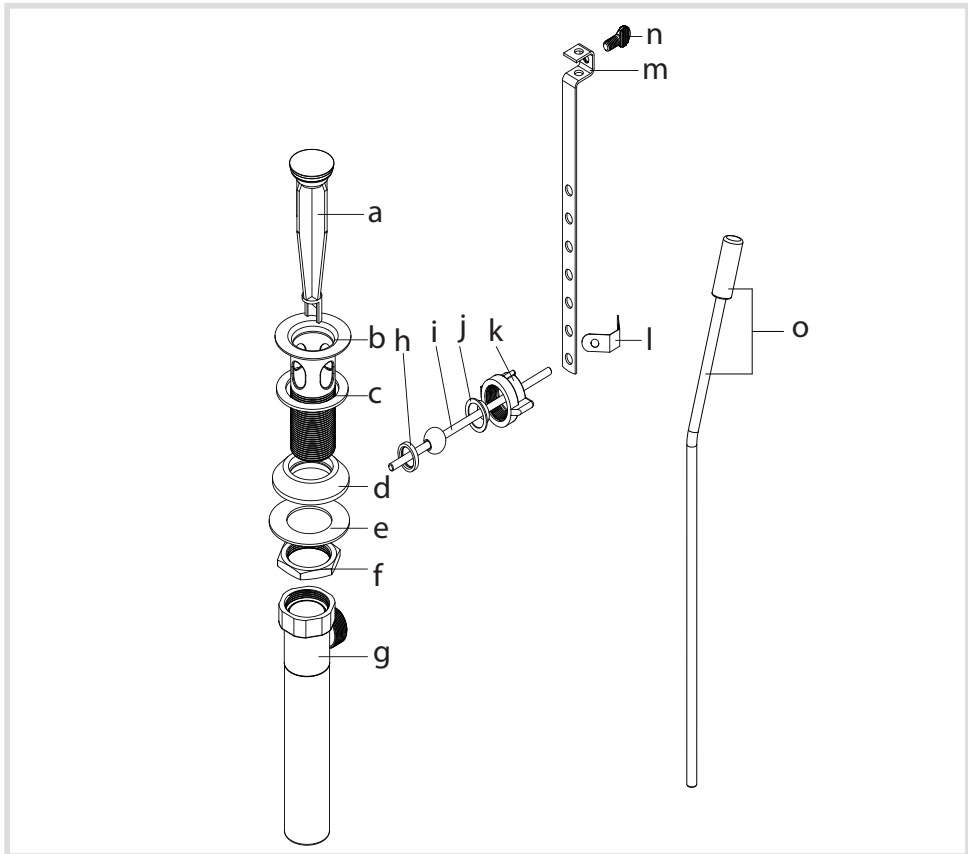


## Diagram and Parts List



- A. Faucet Body
- B. Aerator
- C. Flange
- D. Metal Washer
- E. Lock Nut
- F. Spanner Key
- G. Hex Wrench

## Diagram and Parts List-Lift Rod Drain

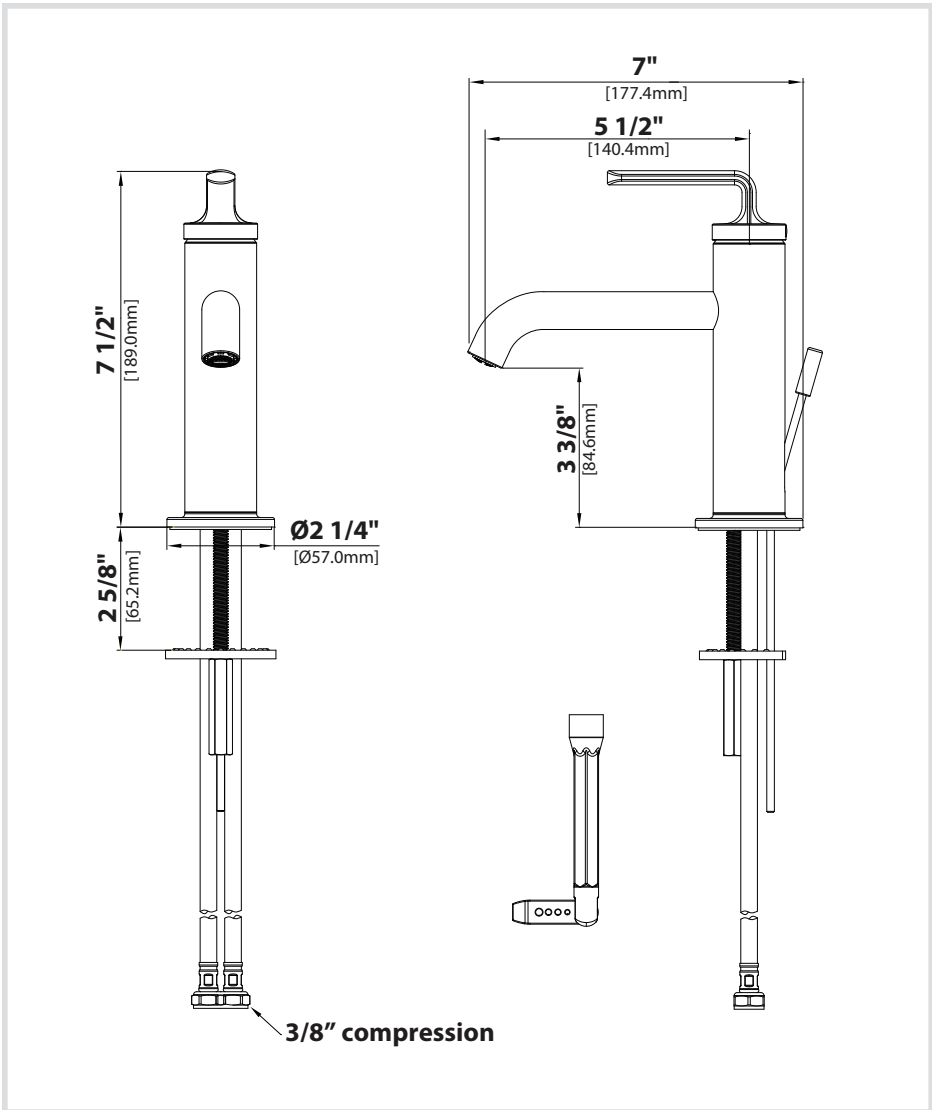


a. Waste Stopper  
b. Drain Flange  
c. Rubber Washer  
d. Concave Washer  
e. Metal Washer

f. Mounting Nut  
g. Tail Pipe  
h. Top Hat Washer  
i. Drain Off Pole  
j. Washer

k. Retaining Nut  
l. Clip  
m. Extender Rod  
n. Thumb Screw  
o. Lift Rod

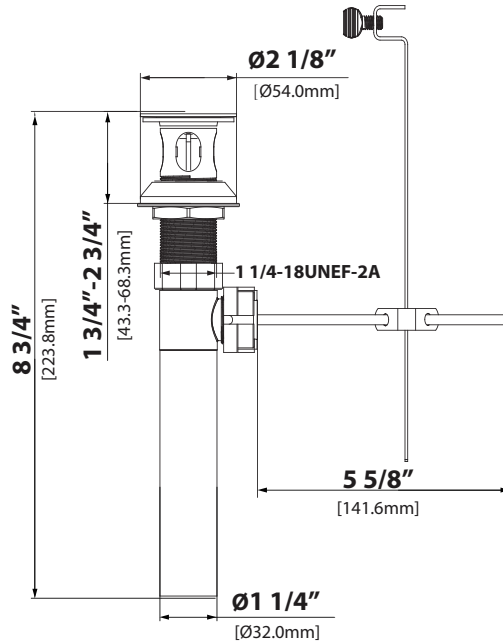
## Faucet Dimension



### Installer Tip:

Shut off main water supply before installing new faucet

## Drain Dimension

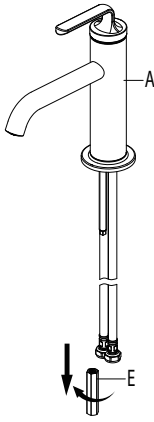


### Installer Tip:

Shut off main water supply before installing new faucet

## Step 1: Remove lock nut

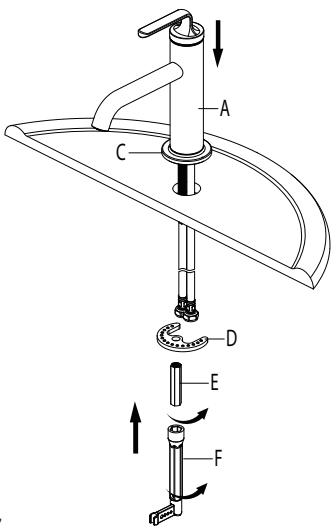
---



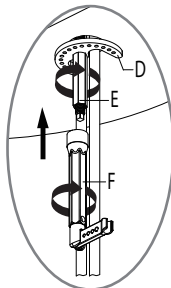
Shut off the water supply.  
Remove the lock nut (E) from the faucet (A).

## Step 2: Installing the faucet

---



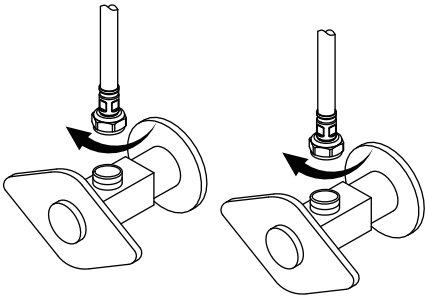
Before installation, ensure that the flange (C) is placed on the bottom of the new faucet (A). Place faucet (A) through the hole in sink. Secure the faucet (A) to the sink using the metal washer (D) and lock nut (E) provided. Tighten lock nut (E) with spanner key (F) provided. Ensure the metal washer (D) and hoses are no interference.





### Step 3: Connect waterlines to main valve

---

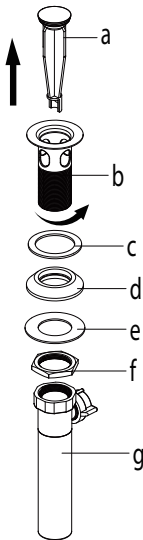


Attach waterlines to angle stops and tighten until snug. Turn on angles stops and check for leaks (DO NOT TURN FAUCET ON)

**NOTE:** Please make sure filter washers are installed before connecting to the main valve.

### Step 4A: Installing the drain

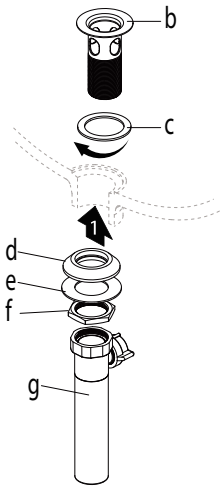
---



Remove waste stopper (a) and drain flange (b) from tailpipe (g). Remove concave washer (d), metal washer (e) and mounting nut (f) from drain flange (b).

## Step 4B: Installing the drain

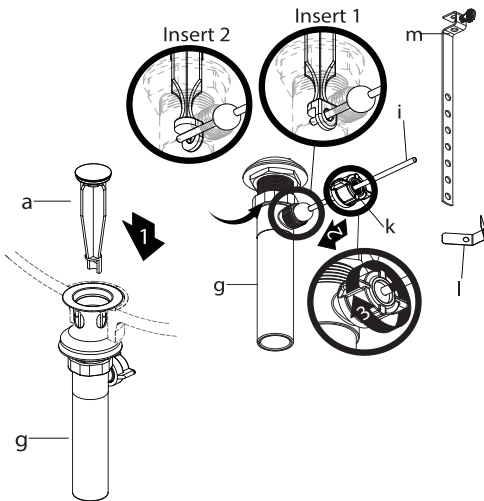
---



Insert drain flange (b) through drain hole with rubber washer (c) attached. From underneath, place concave (d) and metal washer (e) on drain flange. Secure with mounting nut (f). Thread tailpipe (g) onto drain (b) and hand tighten.

## Step 4C: Installing the drain

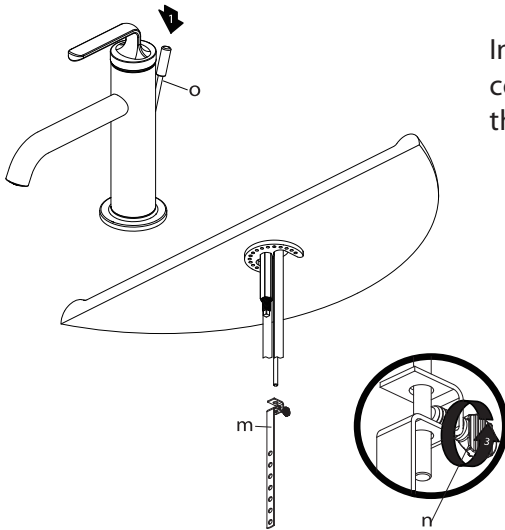
---



Insert waste stopper (a) into drain flange. Remove extender rod (m) and clip (l) from drain off pole (i). Remove nut (k). Insert drain off pole (i) into drain pole opening of tailpipe (g). See insert 1. Secure nut (k) to drain off pole opening of tailpipe (g).

## Step 4D: Installing the drain

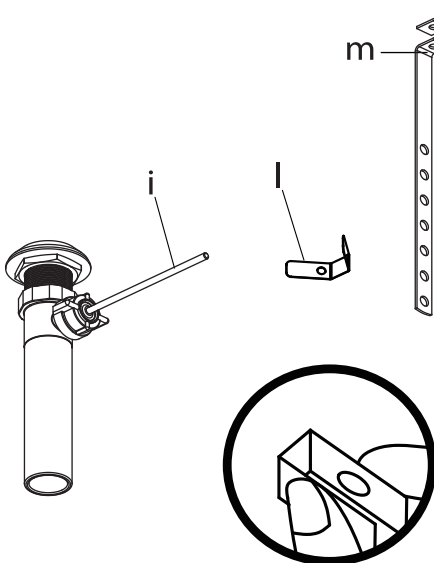
---



Insert lift rod (o) through spout and connect with extender rod (m). Tighten thumb screw (n).

## Step 4E: Installing the drain

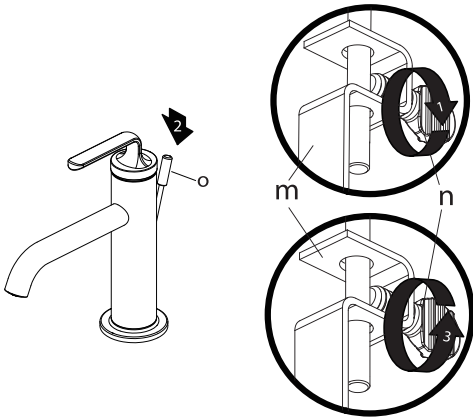
---



Attach drain off pole (i) to extender rod (m) with clip (l).

## Step 4F: Installing the drain

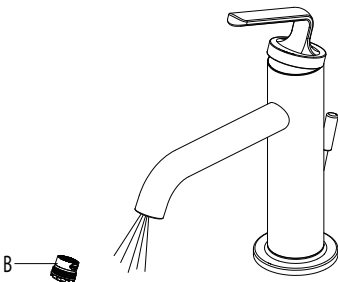
---



Loosen thumb screw (n) on extender rod (m). Push down on lift rod (o) until stopper is in open position. Retighten thumb screw (n).

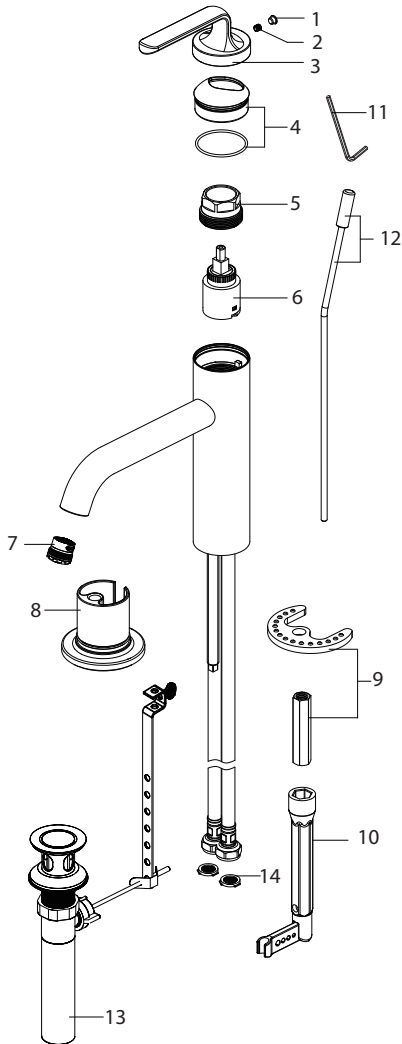
## Step 5: Flush faucet

---



After installing faucet, remove aerator (B) with a coin. Turn water on for 30 seconds to remove any debris. Reassemble aerator (B).

## Replacement Parts



Replacement Parts List	Finish / Color	Part #
1. Cover Button	GR, BL*	KP27159
2. Set Screw		KP27158
3. Handle	SFS, MB, GM, BG, SFSB*	KP27157
4. Cap & O-ring	SFS, MB, GM, BG, SFSB*	KP27160
5. Bonnet Nut		KP27161
6. Cartridge		KP27162
7. Aerator		KP27163
8. Flange	SFS, MB, GM, BG, SFSB*	KP27206
9. Metal Washer & Nut		KP27225
10. Spanner Key		KP27144
11. Hex Wrench		KP27166
12. Lift Rod	SFS, MB, GM, BG, SFSB*	KP27165
13. Drain Assemble	SFS, MB, GM, BG, SFSB*	KP27019
14. Filter Washer		KP27167

\*Denotes faucet component color options:

- SFS - Spot Free Stainless Steel
- MB - Matte Black
- GM - Gunmetal
- BG - Brushed Gold
- SFSB - Spot Free Black Stainless
- GR - Grey
- BL - Black

## Troubleshooting

If you have followed the instructions carefully and your faucet still does not work properly, take the following coorrective steps:

PROBLEM	CAUSE	ACTION
Leakage under the handle	Bonnet nut (5) has come loose	Remove the cover button (1). Loosen set screw (2) with hex wrench (11). Remove the handle (3). Unscrew cap (4) (by hand only). Tighten bonnet nut (5) with an adjustable wrench
Aerator drips or has inconsistent water flow pattern	Aerator (7) is dirty or not seated properly	Unscrew aerator (7) with a coin and clean out debris
Water will not shut off completely	Cartridge may need to be adjusted or replaced	Remove the cover button (1). Loosen set screw (2) with hex wrench (11). Remove the handle (3). Unscrew cap (4) (by hand only). Tighten bonnet nut (5) with an adjustable wrench. Remove the cartridge (6). Check for cracks
There is leaking from the sink drain at the base of the sink.	The sink has a rough or irregular surface.	Apply additional silicone sealant to the beveled side of the drain flange. Retighten and test for leaks
There is a low flow of water.	The filter washer in the hose connectors is dirty.	Turn off the water supply at water valve and unscrew the hose connectors from water supply lines. Clean the filter washer in the water lines with hot water, removing any debris or calcium build up

## Care & Maintenance

\*To keep the product clean & shining, follow the steps below:

1. Rinse with clean water & dry with a soft cloth
2. Do not clean with soaps, acid, polish, abrasives, or harsh cleaners
3. Do not use cloth with a coarse surface
4. Unscrew the aerator and clean when necessary

\*This installation manual is subject to change without further notice.



## Codes/Standards Applicable:



NSF/ANSI 61



ASME A112.18.1  
1.2GPM 4.5L/min maximum

### Faucet Warranty

Kraus products are manufactured and tested to the highest quality standards by Kraus USA Inc. ("Kraus"). Kraus extends this warranty to the original purchaser for personal household use of the "Faucet" in its original location. The warranty is non-transferable.

Kraus warrants the structure and finish of the product to be free from defects in material and workmanship under normal usage for the lifetime of the product. The warranty commences from the initial date of purchase by the owner or trade professional, from an authorized Kraus dealer, through the lifetime of the original owner or end-user.

Kraus warrants the mechanical components such as but not limited to sprayhead assembly (includes engine, aerators, structure, restrictors, back flow preventers, sprayer hoses, braided supply line hoses which encompasses nylon, silicon and stainless steel, etc) of the product to be free from defects in material and workmanship under normal usage for a period of one (1) year. The warranty commences from the initial date of purchase by the owner or trade professional, from an authorized Kraus dealer, through the one (1) year term of the original owner or end-user.

Kraus warrants the mechanical component (cartridge) of the product to be free from defects in material and workmanship under normal usage for a period of five (5) years. The warranty commences from the initial date of purchase by the owner or trade professional, from an authorized Kraus dealer, through the five (5) years term of the original owner or end-user.

Any product reported to the authorized dealer or to Kraus as being defective within the warranty period will be repaired or replaced with a product of equal value at the option of Kraus. This warranty extends to the original owner or end-user, and is not transferable to a subsequent owner.

### Restrictions

This warranty does not cover antediluvian, discontinued, or display products, whether such items are purchased at discount outlets, unauthorized dealers, and/or sold on clearance.

This warranty does not cover instances of negligence, misuse, abuse, improper installation, carelessness, accident, hard water or mineral deposits, exposure to corrosive materials, misapplication, damages caused by improper maintenance, alteration of the product, or failure to follow care or installation instructions enclosed with your product. Avoid using abrasive cleaners such as powders, bleach, ammonia, alcohol, or chlorine. Avoid using abrasive pads, steel wool, or wire brushes, as these will damage and wear down the finish.

This warranty does not apply to Products that have not been installed or operated in accordance with instructions supplied by Kraus and all applicable rules, regulations, and legislation pertaining to such installations.

This warranty does not apply unless the Kraus product is installed by a fully insured and licensed trade professional. Kraus insists that such professionals have experience in the installation of bathroom and kitchen manufactured goods.

This warranty does not cover labor charges or costs of removal and reinstallation of said product. This warranty does not allow recovery of incidental or consequential damages, such as loss of use, delay, property damage, or other consequential damages, and Kraus accepts no liability for such damages.

This warranty does not cover Marine or Outdoor Installation.

Except as otherwise provided above, Kraus makes no warranties, expressed or implied, including warranties of merchantability and fitness for a particular purpose, or compliance with any code.

Shipping charges will be covered for the first (1) year of the warranted replacement part or product (HI, AK, and Puerto Rico shipping charges may apply). International shipping fees are not included.

### **Commercial Warranty**

Kraus extends the above warranty for a period of one (1) year to purchasers of products for industrial, commercial, and business use.

All incidental or consequential damages are specifically excluded. No additional warranties, express or implied, are given, including but not limited to any implied warranty of merchantability or fitness for a particular purpose. Some states do not allow the exclusion or limitation of incidental or consequential damages or limitations on how long an implied warranty lasts, so the above limitations or exclusions may not apply to you. This warranty gives you specific legal rights, and you may also have other rights which vary from state to state.

### **If you are a homeowner please contact a Kraus Customer Service Representative at:**

Kraus USA, Inc.  
12 Harbor Park Drive  
Port Washington, NY 11050  
Toll-free 800-775-0703  
Customerservice@kraususa.com

### **If you are a plumbing contractor or trade professional please contact a Kraus Pro Representative at:**

Kraus USA, Inc.  
12 Harbor Park Drive  
Port Washington, NY 11050  
516-801-8955  
Proservice@kraususa.com

### **If you are an Authorized Partner please contact a Partner Support Representative at:**

Kraus USA, Inc.  
12 Harbor Park Drive  
Port Washington, NY 11050  
516-801-8954  
Partnersupport@kraususa.com

### **In requesting warranty service, please be ready to provide:**

1. Proof of purchase.
2. A description of the problem.

**Download the Kraus Care & Maintenance Guide at:**

<http://www.kraususa.com/maintenance>



# IMPORTANT

## Register Your Kraus Product

**Activate** Your Warranty

**Access** Premium Customer Support

**Get** Product Information

**REGISTER TODAY**

<http://www.kraususa.com/registration>



**Kräus**<sup>®</sup>  
www.kraususa.com