



# Traverse®

60" x 42" Vikrell® above-floor-drain bath/shower with Aging in Place backerboards, right drain  
**71630128**



### Features

- Tongue-and-groove modular design allows for easy installation during any phase of construction
- Modern subway tile design
- Full-length shelf provides generous storage
- Factory-installed Aging in Place backerboards for future grab bar installation
- Innovative Dry-Block™ seal and channeled water containment system form watertight seams

### Material

- Compression-molded from our exclusive solid Vikrell® material

### Installation

- Pro4™ installation system features a two-piece back wall design, enabling one-person handling and installation
- Alcove
- Right drain
- Above-floor-drain (AFD) rough-in
- Caulk-free installation

### Included Components

- 71514106 60" x 42" Vikrell® bath/shower wall set with Aging in Place backerboards
- 71631122 60" x 42" above-floor-drain Vikrell® alcove bath, right drain



### Codes/Standards

CSA B45.5/IAPMO Z124


### STERLING® Vikrell® or Acrylic Baths and Shower Bases Ten-Year Limited Warranty

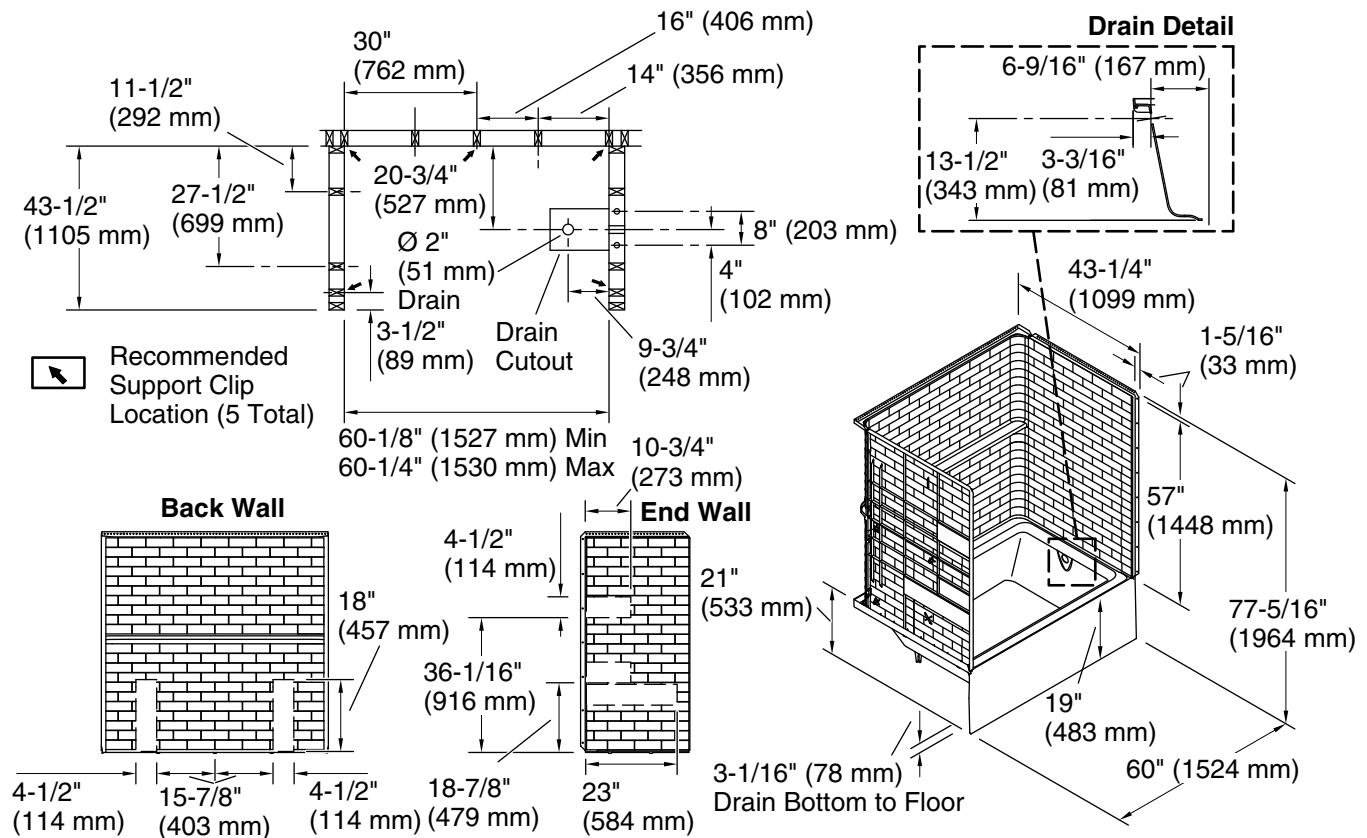
See website for detailed warranty information.

### Available Colors/Finishes

*Color tiles intended for reference only.*

Color	Code	Description
-------	------	-------------

	0	White
---	---	-------



**Technical Information**

All product dimensions are nominal.

Drain location:	Right
Weight:	167 lbs (75.7 kg)
Water depth:	11-1/2" (292 mm)
Water capacity:	65.8 gal (249.1 L)
Minimum flat for door:	3" (76 mm)
Maximum door height:	56-3/4" (1441 mm)
Maximum door width:	57-5/8" (1464 mm)

**Notes**

Install this product according to the installation instructions.