



**Forum™ Traverse®**  
 60" x 42" above-floor-drain Vikrell® bath/shower, right  
 drain  
**71630122**



**Features**

- Tongue-and-groove modular design allows for easy installation during any phase of construction
- Modern subway tile design
- Full-length shelf provides generous storage
- Easy-to-clean, durable high-gloss finish
- Innovative Dry-Block™ seal and channeled water containment system form watertight seams

**Material**

- Compression-molded from our exclusive solid Vikrell® material

**Installation**

- Pro4™ installation system features a two-piece back wall design, enabling one-person handling and installation
- Alcove
- Right drain
- Above-floor-drain (AFD) rough-in
- Caulk-free installation

**Included Components**

- 71514100 60" x 42" Vikrell® bath/shower wall set
- 71631122 60" x 42" above-floor-drain Vikrell® alcove bath, right drain



**Codes/Standards**

CSA B45.5/IAPMO Z124

**STERLING® Vikrell® or Acrylic Baths and Shower Bases Ten-Year Limited Warranty**

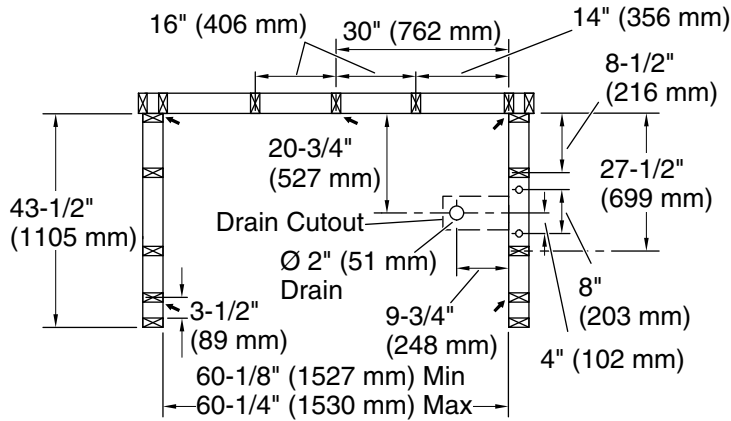
See website for detailed warranty information.


**Available Colors/Finishes**

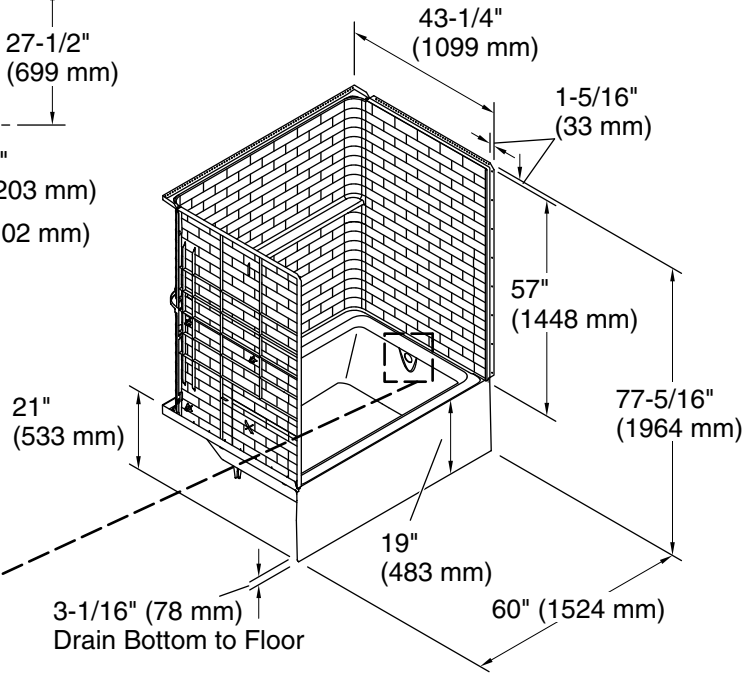
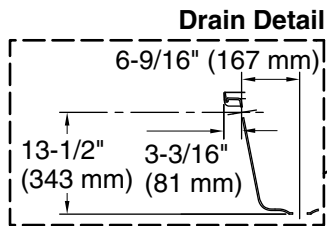
*Color tiles intended for reference only.*

**Color Code Description**

	0	White
--	---	-------



 Recommended Support Clip Location (5 Total)



**Technical Information**

All product dimensions are nominal.

Drain location:	Right
Weight:	157 lbs (71.2 kg)
Water depth:	11-1/2" (292 mm)
Water capacity:	65.8 gal (249.1 L)
Minimum flat for door:	3" (76 mm)
Maximum door height:	56-3/4" (1441 mm)
Maximum door width:	57-5/8" (1464 mm)

**Notes**

Install this product according to the installation instructions.