



Features

- Freestanding design creates a striking focal point in your bathing area.
- Integral lumbar support.
- 17" soaking depth.
- Wide ledge on one side is ideal for deck-mount faucet and/or handshower.
- Textured bottom surface.
- Center drain.
- 72" (1829 mm) x 36.25" (920 mm) x 25" (635 mm)

Material

- Acrylic

Hydrotherapy

- 118-122 BubbleMassage™ airjets.
- Variable-speed blower for adjusting hydromassage intensity.

Installation

- Freestanding
- PureFlo™ drains are not recommended for a deck-mount faucet installation.

Recommended Accessories

- K-7265 Clearflo Bath Drain
- K-24916 Wireless Music Kit
- K-37385 45" Rough-in Cable Bath Drain



Codes/Standards



- ASME A112.19.7/CSA B45.10
- CSA B45.5/IAPMO Z124
- ASTM E162
- ASTM E662
- UL 1795
- CSA C22.2 No. 218.2
- Greenguard UL 2818 - Gold

**KOHLER® Plastic Baths and Receptors
Limited Lifetime Warranty**
**KOHLER® Hydrotherapy Components
Limited Five-Year Warranty**
See website for detailed warranty information.

Available Color/Finishes

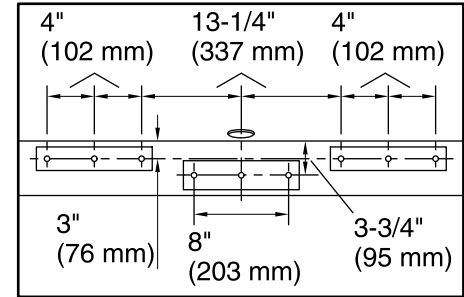
Color tiles intended for reference only.

Color Code Description

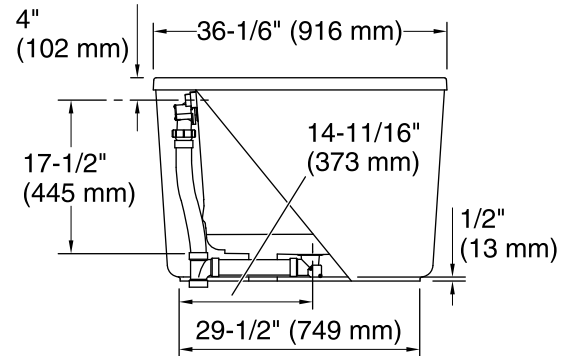
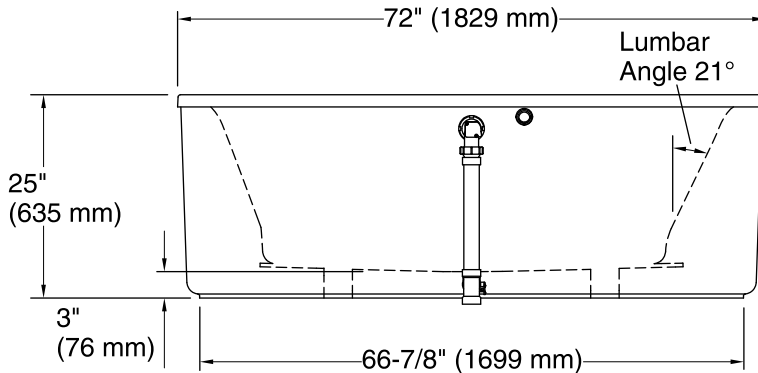
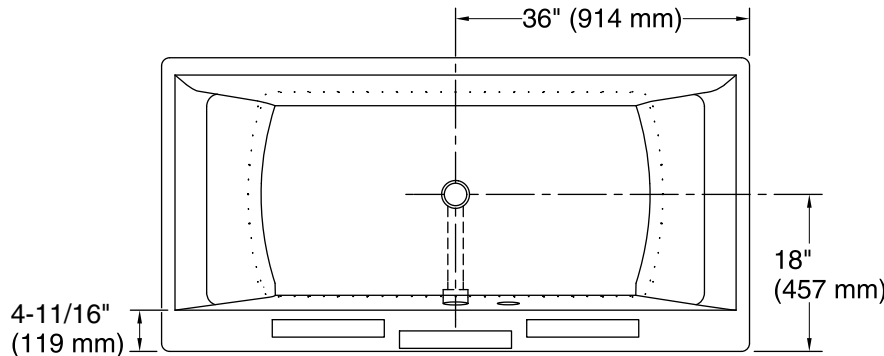
| | | |
|--|----|---------|
|  | 0 | White |
|  | 96 | Biscuit |

No change in measurements if connected with drain illustrated. (K-37386)

□ Recommended Faucet Location



Recommended Faucet Hole Location



Required Electrical Service

One circuit required, protected with Class A Ground-Fault Circuit-Interrupter (GFCI) or Residual Current Device (RCD).

Blower: 120 V, 15 A, 60 Hz

Technical Information

All product dimensions are nominal.

| | |
|------------------------------|---|
| Installation: | Freestanding |
| Drain location: | Center |
| Weight: | 91 lbs (41.3 kg) |
| Minimum floor load: | 45 lbs/ft ² (219.7 kg/m ²) |
| Water depth: | 17" (432 mm) |
| Water capacity: | 72 gal (272.5 L) |
| Template: | 1346311-7, not required, included |
| Electrical component rating: | Blower: 120 V, 10 A, 60 Hz |

Notes

Measure your actual product for rough-in details.

Install this product according to the installation instructions.

The hot water supply should be 70% of the capacity of the bath or greater. Installations will vary.

Provide one grounded electrical outlet within 24" (610 mm) of each component.

If installing a rim-mount faucet, make sure there is no interference above or below the deck before drilling any holes.