

### Features

- Frameless, 5/16-inch-thick (8mm) Crystal Clear tempered glass.
- Reversible door with twin chrome handles.
- Door is reversible for right- or left-hand installation.
- Low threshold for easy entry and exit.
- CleanCoat® glass treatment repels water for improved ease of cleaning.
- Twist & Lock wall jamb system locks into place without using screws.
- No exposed screws for sleek, contemporary look.
- Premium, quick-release double rollers for quality feel and operation.
- Out-of-Plumb adjustability for simple installation.

### Material

- Anodized aluminum hardware prevents rusting or corrosion.

### Installation

- Sliding shower door.
- Pre-assembled frame requires no cutting during installation.
- 1 3/16-inch width adjustability on each wall jamb (offering 2 3/8-inch total adjustability).
- Filler sections (1296810) can be used to extend the width of an enclosure door by 3/4 inch.

### Recommended Accessories

1296810 Aerie™ Door Filler Jamb

### Components

Product includes:

K-706147-L 60" Sliding Door

K-706152-L 36" Return Panel

Additional included component/s: Hardware Kit.



### Codes/Standards

ANSI Z97.1

CPSC 16CFR 1201

### KOHLER® One-Year Limited Warranty

See website for detailed warranty information.

### Available Color/Finishes

*Color tiles intended for reference only.*

Color	Code	Description
-------	------	-------------

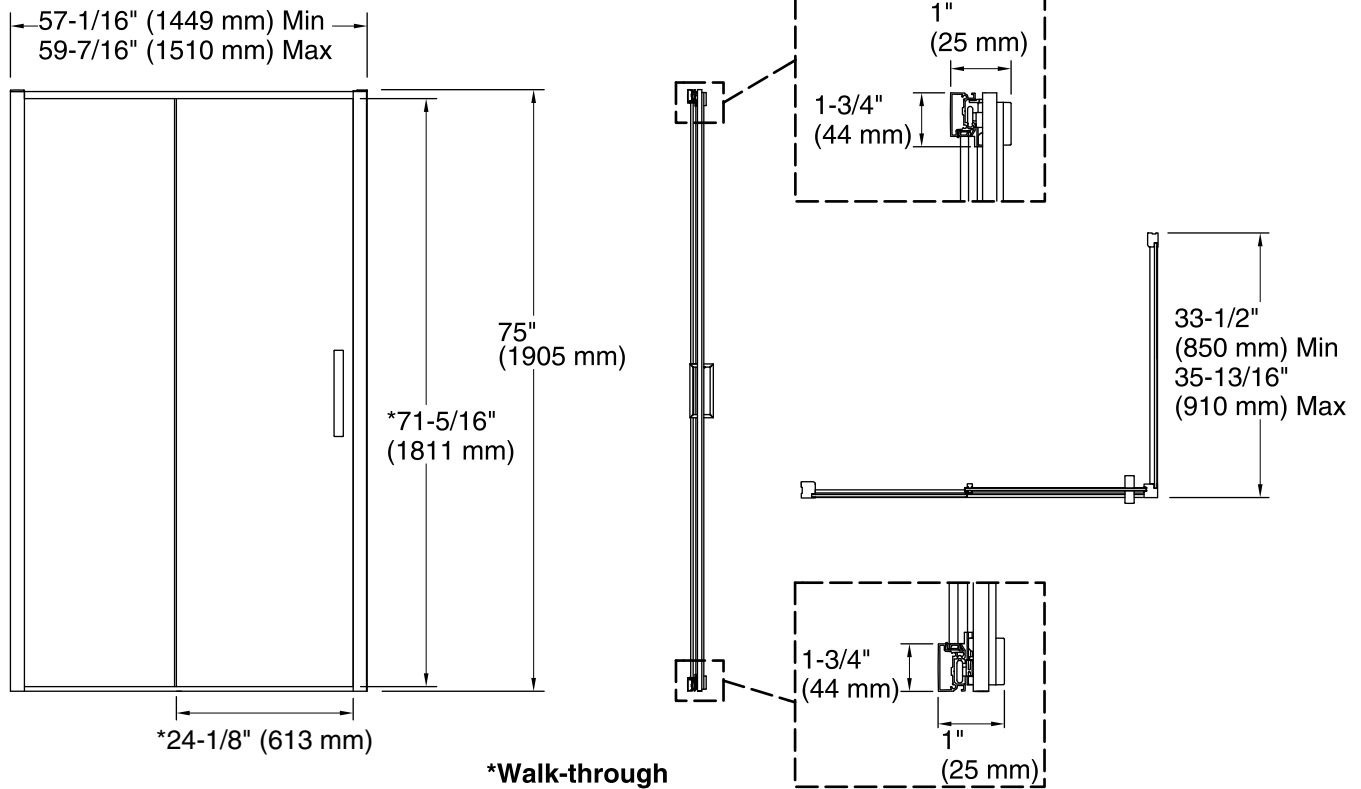


SHP	Bright Polished Silver
-----	------------------------

### Available Glass Options

Code	Description
------	-------------

L	Crystal Clear
---	---------------



## Technical Information

All product dimensions are nominal.

Installation type: For shower base installation

Opening Width - Min: 57-1/16" (1450 mm)

Opening Width - Max: 59-7/16" (1510 mm)

Walk-through - Min: 24-1/8" (613 mm)

Walk-through - Max: 24-1/8" (613 mm)

Glass thickness: 5/16" (8 mm)

Glass coating: CleanCoat®

## Notes

Install this product according to the installation guide.

The vertical opening should be a minimum of 78" (1981 mm) to allow for installation clearance.