



Sentra™

Quiet-Close™ round-front toilet seat
38715

Features

- Fits most round-front toilets
- Round closed-front seat
- Color-matched plastic hinges
- Quiet-Close™ round-front seat and lid prevent slamming
- Grip-Tight bumpers hold seat firmly in place

Material

- Plastic construction
- Premium material construction for durability and reliability



Codes/Standards

IAPMO/ANSI Z124.5


STERLING® One-Year Limited Warranty

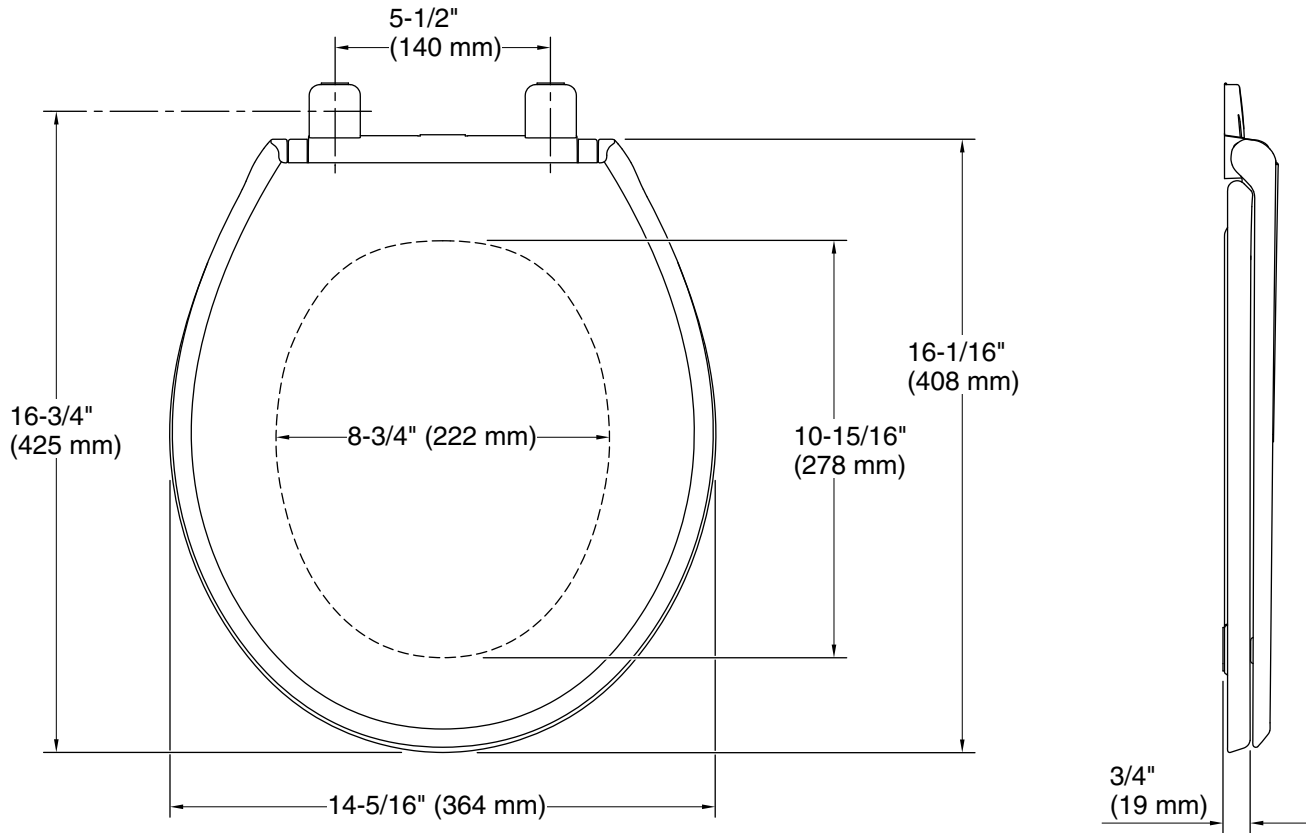
See website for detailed warranty information.

Available Colors/Finishes

Color tiles intended for reference only.

Color	Code	Description
-------	------	-------------

	0	White
---	---	-------



Technical Information

All product dimensions are nominal.

- Seat shape type: Round-front
- Seat front type: Closed-front
- Seat-mounting holes: 5-1/2" (140 mm)

Pressure/fixture Supply Requirements

Notes

Install this product according to the installation guide.