

Features

- Includes face plate with handle.
- Single handle controls both on/off activation and temperature setting.
- Supplied with ADA compliant metal cross handle.
- Complements the Margaux faucet and accessory collections.

Material

- Premium material construction with metal handle ensures reliability and durability.
- KOHLER finishes resist corrosion and tarnishing, exceeding industry durability standards.

Installation

- Trim set requires valve to complete installation.

Required Products/Accessories

- K-304/K-P304 Series Rite-Temp® Valves
- or
- K-304/K-P304 Series Rite-Temp® Valves
- or
- K-304/K-P304 Series Rite-Temp® Valves
- or
- K-304/K-P304 Series Rite-Temp® Valves
- or
- K-304/K-P304 Series Rite-Temp® Valves
- or
- K-304/K-P304 Series Rite-Temp® Valves
- or
- K-304/K-P304 Series Rite-Temp® Valves
- or
- K-304/K-P304 Series Rite-Temp® Valves
- or
- K-304/K-P304 Series Rite-Temp® Valves
- or
- K-304/K-P304 Series Rite-Temp® Valves
- or
- K-304/K-P304 Series Rite-Temp® Valves
- or
- K-304/K-P304 Series Rite-Temp® Valves
- or
- K-304/K-P304 Series Rite-Temp® Valves
- or
- K-304/K-P304 Series Rite-Temp® Valves
- or
- K-304/K-P304 Series Rite-Temp® Valves
- or
- K-304/K-P304 Series Rite-Temp® Valves
- or
- K-304/K-P304 Series Rite-Temp® Valves
- or
- K-8304/K-P8304 Series Rite-Temp® Valve & Cartridge Kits



ADA

Codes/Standards






ASME A112.18.1/CSA B125.1
ADA
ICC/ANSI A117.1

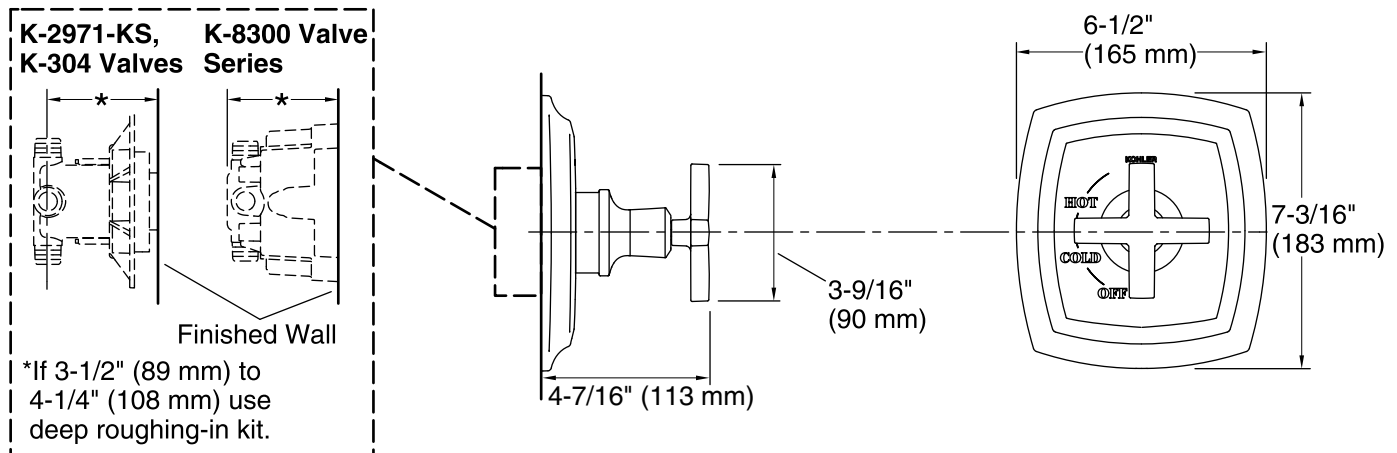
KOHLER® Faucet Lifetime Limited Warranty

See website for detailed warranty information.

Available Colors/Finishes

Color tiles intended for reference only.

Color	Code	Description
	CP	Polished Chrome
	SN	Vibrant® Polished Nickel
	AF	Vibrant® French Gold
	BN	Vibrant® Brushed Nickel
	BV	Vibrant® Brushed Bronze



Technical Information

All product dimensions are nominal.

Notes

Install the product according to the installation guide.

NOTICE: Risk of product damage. Long screws, for installing trim, can damage the K-2971-KS valve. Consult the trim installation guide to verify if the thin wall installation kit (88526) is needed.

ADA compliant when installed to the specific requirements of these regulations.