

### Features

- Brass construction.
- Brass valve bodies.
- Quarter-turn washerless ceramic disc valves.
- 4" (102 mm) spout reach.
- For 4" (102 mm) centers.
- Vandal-resistant aerator.
- Variety of handle style options.
- 0.5 gal/min (1.9 l/min) maximum flow rate [max at 60 psi (4.14 bar)].
- Less drain.

### Required Products/Accessories

K-16010-2 Standard Handles for Centerset Base Faucet

or

K-16010-3 Cross Handles for Centerset Base Faucet

or

K-16010-4 Lever Handles for Centerset Base Faucet

or

K-16010-5 Wristblade Lever Handles for Centerset Base Faucet

### Optional Products/Accessories

1160595 .35 gpm Aerator, Medium

1160594 .35 gpm Aerator, Large



### Codes/Standards

ASME A112.18.1/CSA B125.1

NSF/ANSI 61

NSF/ANSI 372

All applicable US Federal and State material regulations

DOE - Energy Policy Act 1992

California Energy Commission (CEC)

### KOHLER® One-Year Limited Warranty

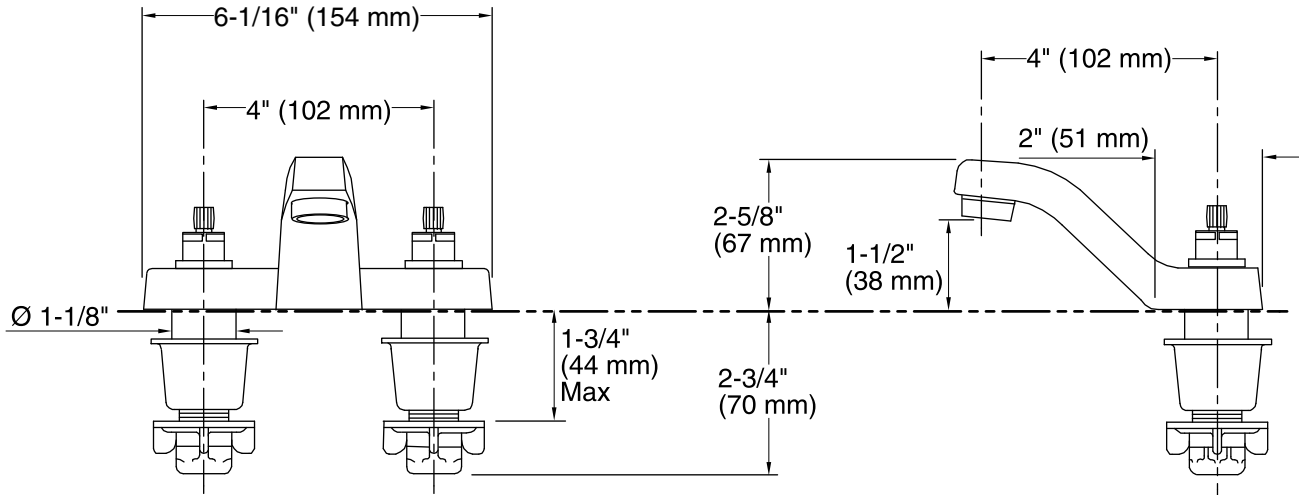
See website for detailed warranty information.

### Available Colors/Finishes

*Color tiles intended for reference only.*

Color	Code	Description
-------	------	-------------

	CP	Polished Chrome
--	----	-----------------



### Technical Information

All product dimensions are nominal.

#### Faucet:

Flow rate: 0.5 gal/min (1.9 l/min)

Pressure: 60 psi (4.1 bar)

#### Spout:

Spout reach: 4" (102 mm)

### Notes

Install this product according to the installation guide.