

### Features

- Washout urinal.
- 1/2" rear spud.
- Delivers dependable water-saving performance and added hygiene.
- Patented backwall geometry and extended rim, limit splash-back for a cleaner user experience.
- Battery operated Touchless electronic flush valve powered by four AA alkaline batteries.
- Includes tank cover and tank cover locks.
- 0.5 gpf (1.9 lpf)

### Material

- Vitreous china

### Water Conservation & Rebates

- 0.5 gallons per flush.
- ADA-compliant when rim is mounted no higher than 17" from finished floor.
- This product can help a building earn Water Efficiency points in the LEED® Green Building Rating System.

### Included Components

Additional Components:

- 2" outlet spud
- 4 alkaline AA cell batteries
- Flush Valve
- Hangers (2)
- Stop valve assembly
- Strainer
- Tank cover locks (pair)



ADA CSA B651 OBC

### Codes/Standards




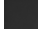
ASME A112.19.2/CSA B45.1  
DOE - Energy Policy Act 1992  
EPA WaterSense®  
ADA  
ICC/ANSI A117.1  
CSA B651  
OBC

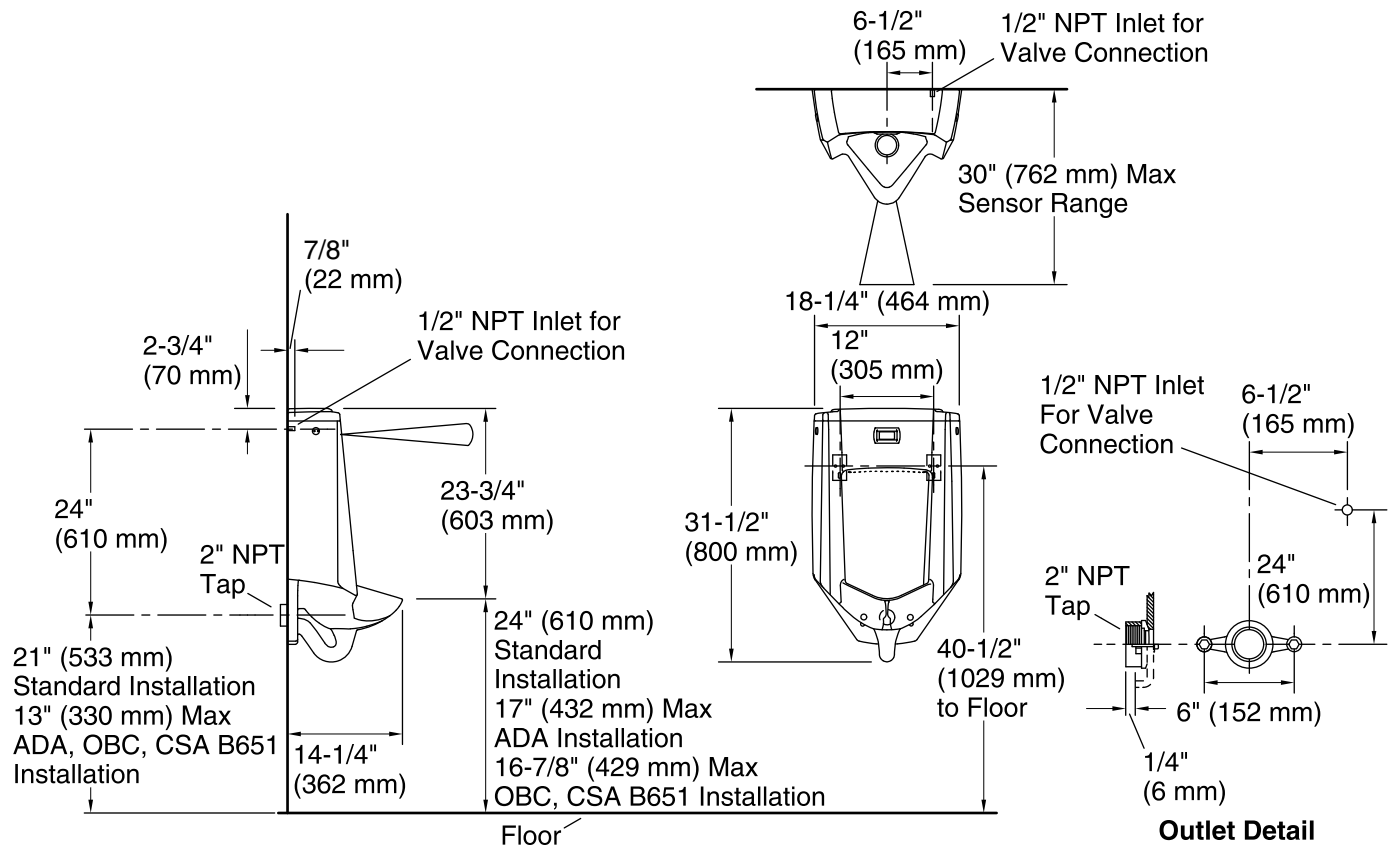
### KOHLER® One-Year Limited Warranty

See website for detailed warranty information.

### Available Colors/Finishes

*Color tiles intended for reference only.*

Color	Code	Description
	0	White
	96	Biscuit
	47	Almond
	7	Black Black™



### Technical Information

All product dimensions are nominal.

Flush outlet technology: Washout

Spud size: 1/2", Inlet, Rear

Max. Water per Flush: 0.5 gal (1.9 L)

### Pressure and Supply Requirements

Fixture pressure min (static): 25 psi (172.4 kPa)

Fixture pressure max (static): 80 psi (551.6 kPa)

Power source: Battery - DC, Alkaline, included

### Notes

Install this product according to the installation guide.

Recommended ADA outlet spud height will account for normal product variation.

For ADA compliance, measurement must be 17" (432 mm) or less from the floor to the top of the lip. For OBC and CSA B651 compliance, measurement must be 16-7/8" (429 mm) or less from the floor to the top of the lip.

ADA, OBC, CSA B651 compliant when installed to the specific requirements of these regulations.