

## Features

- Single lever handle is simple to use and makes adjusting water temperature easy.
- High arch and unique exposed-spring design provide exceptional control and flexibility.
- Two-function sprayhead with touch-control allows you to switch from stream to Sweep® spray.
- Sweep® spray features specially angled nozzles that form a wide, powerful blade of water to sweep your dishes and sink clean.
- Magnetic docking arm keeps the sprayhead securely in place.
- Spring and sprayhead detach for easy cleaning.
- The magnetic docking arm swivels independently, allowing for an unobstructed use of the sink basin.
- MasterClean™ sprayface features an easy-to-clean surface that withstands mineral buildup.
- Includes soap/lotion dispenser.
- Ceramic disc valves exceed industry longevity standards, ensuring durable performance for life.
- Premium KOHLER finishes featuring ScratchShield™ technology withstands even the toughest daily use.
- Installs with 1-, 2-, 3-, or 4-hole sink (adapter plate included).

## Material

- Constructed with premium materials for durability and reliability.

## Installation

- Flexible supply lines and quick-connect fittings make installation easy.
- Longer shank works with countertops between 1/2" to 2-1/2" inches thick. Simply hand-tighten and secure with a screwdriver. For thinner countertops additional material may be required.



## Codes/Standards

ASME A112.18.1/CSA B125.1

NSF/ANSI 61

NSF/ANSI 372

All applicable US Federal and State material regulations

DOE - Energy Policy Act 1992



California Energy Commission (CEC)

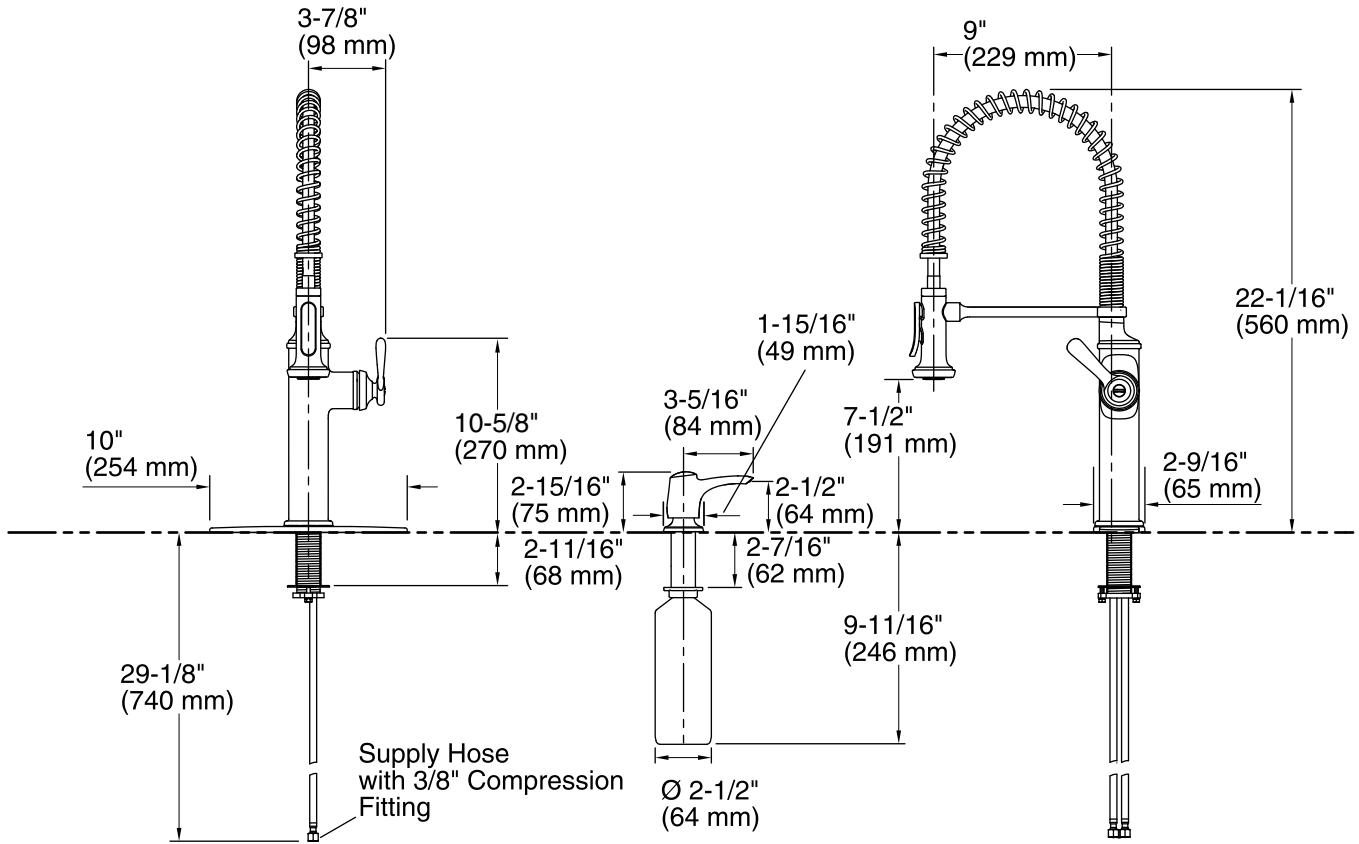
## KOHLER® Faucet Lifetime Limited Warranty

See website for detailed warranty information.

## Available Colors/Finishes

*Color tiles intended for reference only.*

Color	Code	Description
	CP	Polished Chrome
	VS	Vibrant® Stainless



### Technical Information

All product dimensions are nominal.

#### Faucet:

Flow rate: 1.8 gal/min (6.8 l/min)

Pressure: 60 psi (4.1 bar)

#### Spout:

Spout reach: 9" (229 mm)

### Notes

Install this product according to the installation guide.