

#### Features

- A single handle controls both on/off activation and temperature setting
- Box includes: Faceplate with lever handle and diverter, shower arm with flange
- Showerhead sold separately
- Coordinates with other products in the Elate collection



#### Material

- Premium material construction with metal handle ensures reliability and durability
- KOHLER finishes resist corrosion and tarnishing



#### Installation

- Trim only; requires valve to complete installation (sold separately)

#### Required Products/Accessories

K-11748 Series Rite-Temp® Valves

#### Codes/Standards




ASME A112.18.1/CSA B125.1

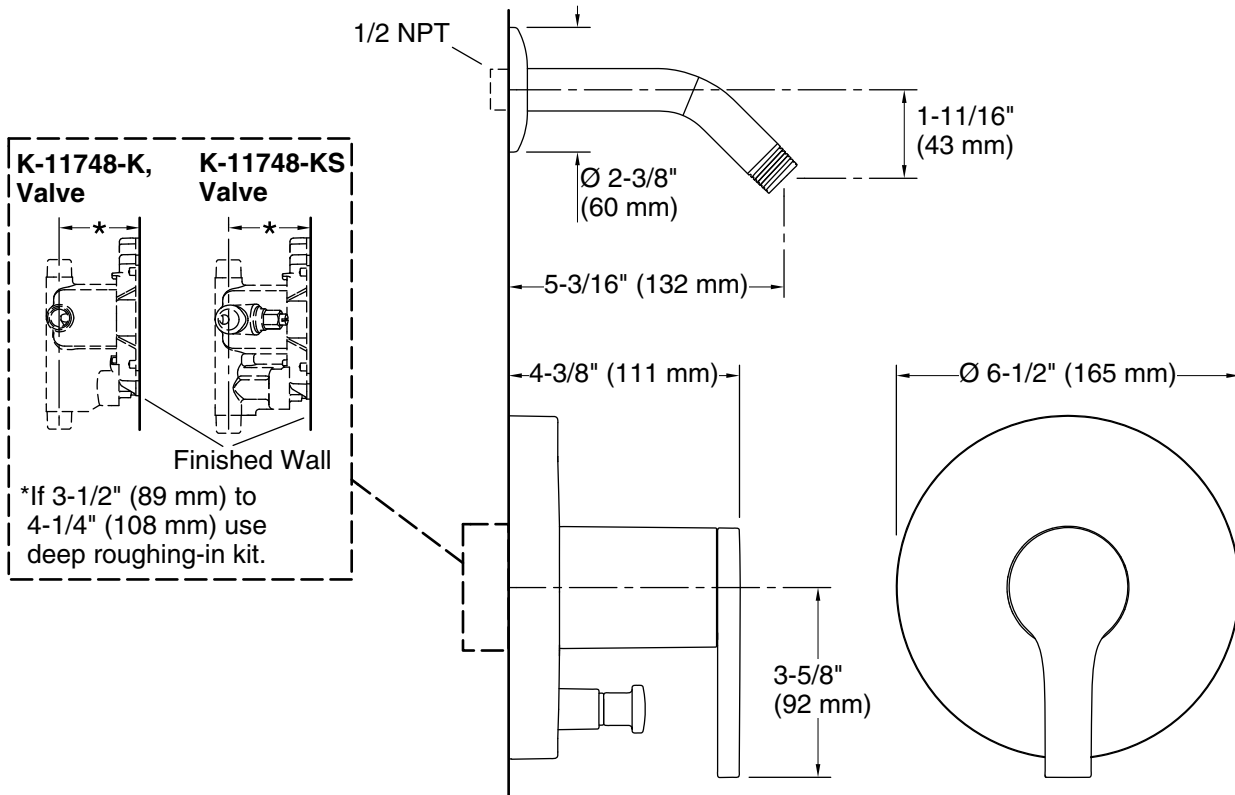
#### KOHLER® Faucet Lifetime Limited Warranty

See website for detailed warranty information.

#### Available Colors/Finishes

*Color tiles intended for reference only.*

Color	Code	Description
	CP	Polished Chrome
	BN	Vibrant® Brushed Nickel
	BL	Matte Black
	2MB	Vibrant® Brushed Moderne Brass



**Technical Information**

All product dimensions are nominal.

Drain included: No

**Spout:**

**Notes**

Install this product according to the installation guide.

Avoid cross-flow conditions. Do not install a shut-off device on either valve outlet.

Install straight pipe or tube drop of 7" (178 mm) to 18" (457 mm) with single elbow between the valve and the wall-mount spout.