

## Features

- A single handle controls both on/off activation and temperature setting
- 8-5/8" (215 mm) stationary spout reach
- 7.5 gpm (28.4 lpm) maximum bath faucet flow rate at 45 psi (3.1 bar)
- 1.75 gpm (6.6 lpm) maximum handshower flow rate at 80 psi (5.5 bar)
- KOHLER® ceramic disc valves exceed industry longevity standards for a lifetime of durable performance
- Coordinates with other products in the Avid collection

## Material

- Premium metal construction for durability and reliability
- KOHLER® finishes resist corrosion and tarnishing

## Installation

- Floor-mount

## Required Products/Accessories

For freestanding installation  
K-97342 Mounting-block

## Recommended Products/Accessories

K-23723 Faucet cleaner  
K-97494 18" towel bar  
K-97495 24" towel bar  
K-97496 24" double towel bar  
K-97498 towel arm  
K-97499 robe hook  
K-97500 double robe hook  
K-97502 Vertical toilet paper holder  
K-97503 Covered toilet paper holder



## Codes/Standards


ASME A112.18.1/CSA B125.1  
DOE - Energy Policy Act 1992  
EPA WaterSense®  
California Energy Commission (CEC)

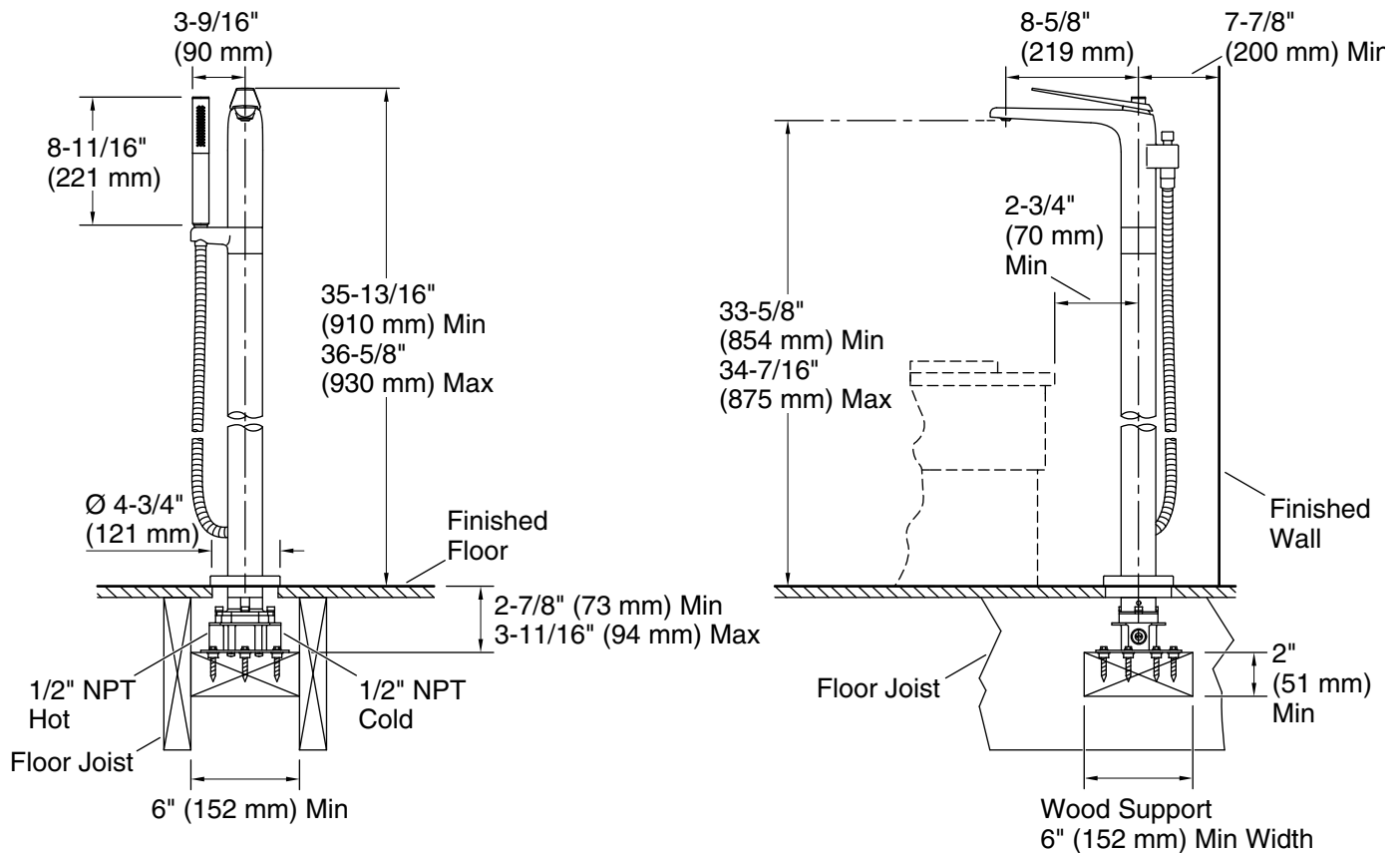
## KOHLER® Faucet Lifetime Limited Warranty

See website for detailed warranty information.

## Available Colors/Finishes

*Color tiles intended for reference only.*

Color	Code	Description
	CP	Polished Chrome
	BN	Vibrant® Brushed Nickel
	BL	Matte Black
	2MB	Vibrant® Brushed Moderne Brass



## Technical Information

All product dimensions are nominal.

### Faucet:

Flow rate: 7.5 gal/min (28.4 l/min)  
 Pressure: 45 psi (3.1 bar)  
 Drain included: No

### Spout:

Spout reach: 8-3/4" (223 mm)

### Handshower:

Rated maximum flow: 1.75 gal/min (6.6 l/min)  
 Pressure: 80 psi (5.5 bar)

## Notes

Install this product according to the installation instructions.

Adequate floor support is required. The wood support must be a minimum of 2" (51 mm) thick by 6" (152 mm) wide. 2x6 lumber is NOT adequate for this application.

Concrete can be used as the floor support. Requires 3/16" masonry drill bit and six 1/4" x 1-3/4" concrete screws, not included.