

### Features

- Single Industrial handle controls flow to outlets.
- Coordinates with Components faucets and accessories to complete your bathroom.

### Material

- Premium material construction with metal handle ensures reliability and durability.
- KOHLER finishes resist corrosion and tarnishing.

### Technology

- Patented K-joint installation technology ensures consistent trim appearance, regardless of variability in valve rough-in.

### Installation

- Wall-mount.

### Required Products/Accessories

- K-728-K 3/4" Two- or Three-Way Transfer Valve  
or  
K-737-K 3/4" Two- or Three-Way Diverter Valve

### Included Components

- Additional Components:  
ADA-compliant metal Industrial handle  
Faceplate



### Codes/Standards

ASME A112.18.1/CSA B125.1

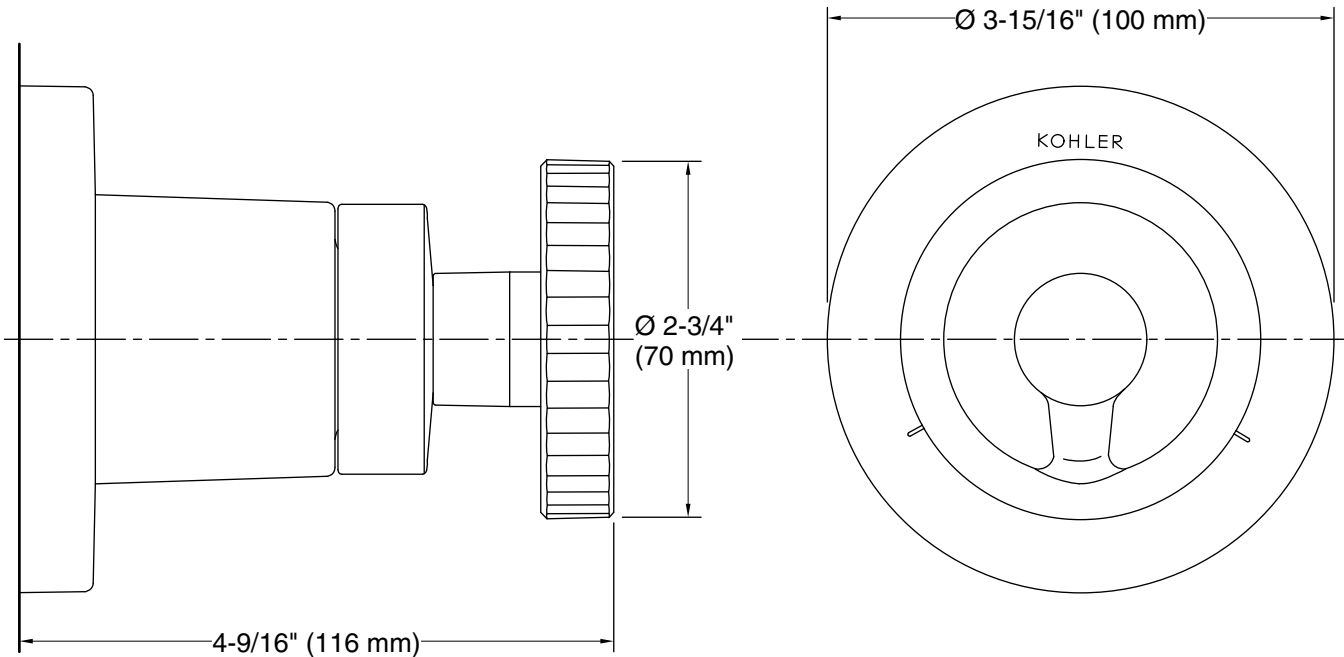
### KOHLER® Faucet Lifetime Limited Warranty

See website for detailed warranty information.

### Available Colors/Finishes

*Color tiles intended for reference only.*

Color	Code	Description
	CP	Polished Chrome
	BN	Vibrant® Brushed Nickel
	BL	Matte Black



**Technical Information**

All product dimensions are nominal.

Drain included: No

**Notes**

Install this product according to the installation instructions.