

### Features

- Two cross handles offer separate control of hot and cold water.
- Part of the Occasion bathroom faucet and accessory collection.
- Requires valve (sold separately) for installation.

### Material

- Premium metal construction for durability and reliability.

### Installation

- Wall-mount.

### Required Products/Accessories

K-410-K Wall-mount Valve  
K-T27011-ND Wall-mount bathroom sink faucet spout with Straight design

### Recommended Products/Accessories

K-23726 Drain treatment  
K-23723 Faucet cleaner  
K-27060 18" towel bar  
K-27061 24" towel bar  
K-27062 24" double towel bar  
K-27063 Towel ring  
K-27064 Vertical toilet paper holder  
K-27065 Pivoting toilet paper holder  
K-27069 Robe hook  
K-27128 Toilet paper holder with tray



ADA CSA B651 OBC

### Codes/Standards

ASME A112.18.1/CSA B125.1  
ADA  
ICC/ANSI A117.1  
CSA B651  
OBC

### KOHLER® Faucet Lifetime Limited Warranty

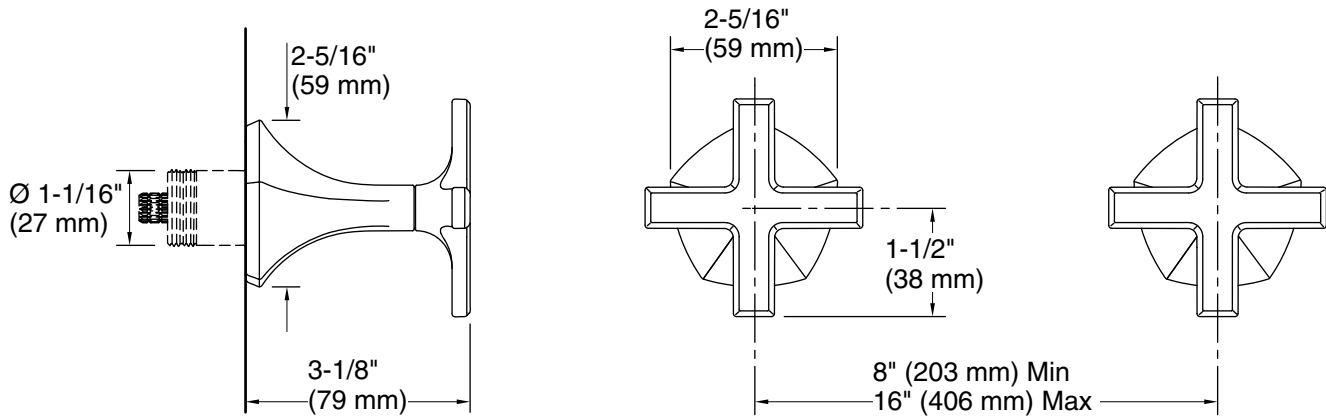
See website for detailed warranty information.

### Available Colors/Finishes

*Color tiles intended for reference only.*

Color	Code	Description
-------	------	-------------

	CP	
	SN	
	BN	
	BL	
	2MB	
	BMB	



**Technical Information**

All product dimensions are nominal.

**Faucet:**

Flow rate: 1.2 gal/min (4.5 l/min)

Pressure: 60 psi (4.1 bar)

Drain included: No

Drain with overflow: No

**Notes**

ADA, OBC, CSA B651 compliant when installed to the specific requirements of these regulations.