

Material

- Two lever handles allow for both volume and temperature control.
- Non-diverter spout.
- 8-5/8" (220 mm) spout reach.
- KOHLER ceramic disc valves exceed industry longevity standards for a lifetime of durable performance.
- Coordinates with Tempered™ faucets, accessories, and showering components to complete your bathroom.
- Premium metal construction.
- Deck or bath-mount.
- Trim only, requires valve to complete installation.
- KOHLER® finishes resist corrosion and tarnishing.
- Two lever handles allow for both volume and temperature control.
- Non-diverter spout.
- KOHLER® ceramic disc valves exceed industry longevity standards, ensuring durable performance for life.
- Coordinates with other products in the Tempered collection.
- Premium material construction.
- KOHLER finishes resist corrosion and tarnishing.
- Deck-mount or bath-mount.
- Trim only; requires high-flow ceramic valves to complete installation (K-300-K, K-300-KR, or K-301-K).

Required Products/Accessories

- K-300-K High Flow Bath Valve
- K-300-KR High Flow Valve w/ Rigid Connections
- K-301-K ¾" High-Flow Bath Valve

Optional Products/Accessories

- 1032704 Deep Rough-In Kit
- 1032705 Deep Rough-In Kit



ADA CSA B651 OBC

Codes/Standards

ASME A112.18.1/CSA B125.1
ADA
ICC/ANSI A117.1
CSA B651
OBC

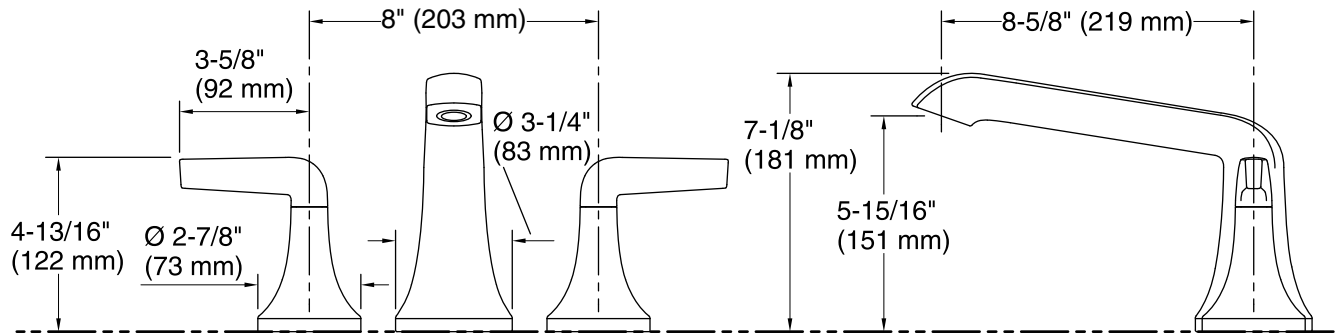
KOHLER® Faucet Lifetime Limited Warranty

See website for detailed warranty information.

Available Colors/Finishes

Color tiles intended for reference only.

Color	Code	Description
	CP	Polished Chrome
	SN	Vibrant® Polished Nickel
	BN	Vibrant® Brushed Nickel
	BL	Matte Black



Technical Information

All product dimensions are nominal.

Spout:

Spout reach: 8-5/8" (220 mm)

Handle clearance: 3-5/8" (92 mm)

Notes

Install this product according to the installation instructions.

ADA, OBC, CSA B651 compliant when installed to the specific requirements of these regulations.