



Lyric® Workstation

20-1/2" top-/under-mount single-bowl bar sink
K-RH23377-1PC

Features

- Includes large acacia wood cutting board to enhance food prep and cleanup
- 24" minimum base cabinet width
- Single bowl
- 7-1/2" (191 mm) depth
- One faucet hole
- Tightly angled fabricated corners maximize bowl space
- Sink drain with strainer sold separately

Material

- Handcrafted from 18-gauge stainless steel
- Premium 18-gauge stainless steel

Installation

- Top-mount or undermount
- Cutting board slides on sink ledge when sink is top-mounted or across the countertop when under-mounted

Recommended Products/Accessories

- K-8799 Sink drain and strainer basket
- K-8801 Sink drain and strainer with tailpiece
- K-23726 Drain treatment
- K-23729 Stainless steel cleaner

Optional Products/Accessories

- K-23468 sink rack for K-RH23377-1PC
- K-21614 Colander set
- K-11352 Disposal Flange with Stopper

Included Components

- K-23379 cutting board

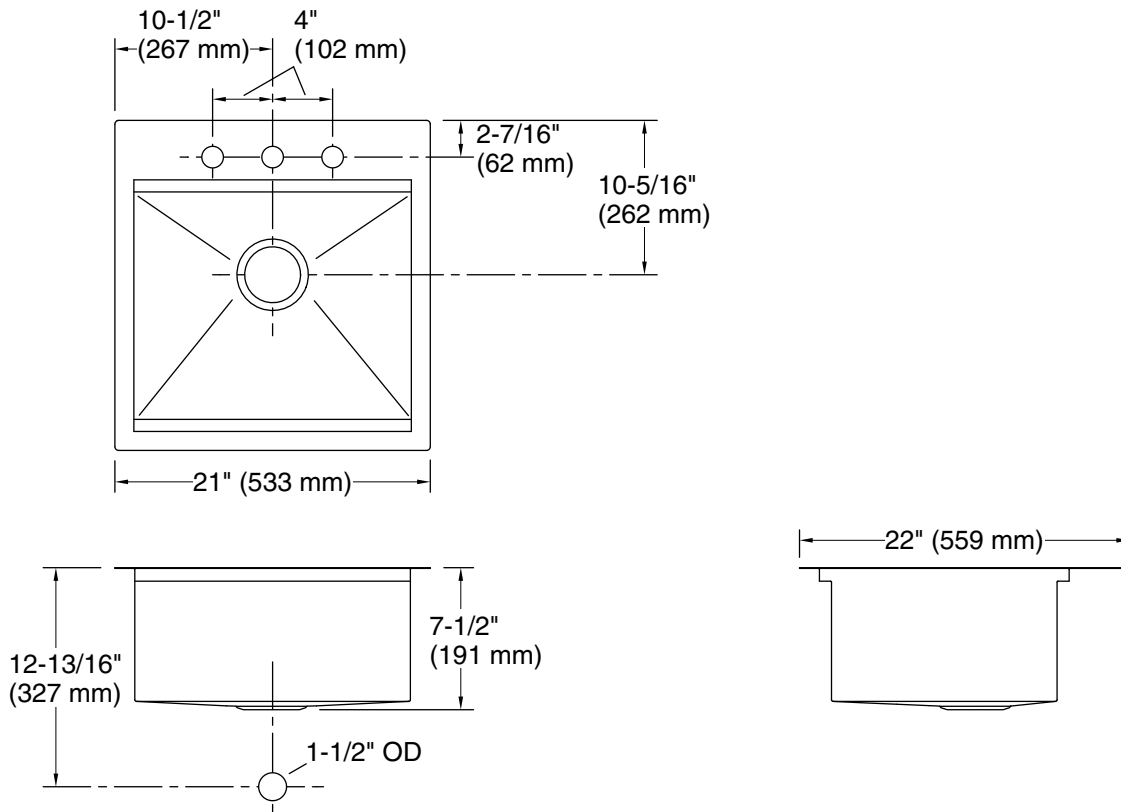


Codes/Standards

ASME A112.19.3/CSA B45.4

KOHLER® Stainless Steel Sinks Lifetime Limited Warranty

See website for detailed warranty information.



Technical Information

All product dimensions are nominal.

Basin configuration: Single Bowl

Min. base cabinet width: 23-1/2" (597 mm)

Bowl area (Only): Length: 18-1/4" (464 mm)
Width: 16-9/16" (420 mm)
Bowl depth: 7-1/2" (191 mm)
Water depth: 7-1/2" (191 mm)

With overflow: No

Number of deck holes: 1

Faucet hole(s): 1-7/16" (37 mm)

Drain hole: 3-3/4" (94 mm)

Template: Top-mount/Under-mount, 1381845-7, required, included

Notes

Install this product according to the installation instructions.

NOTICE: Countertop manufacturer or cutter must use the cut-out template provided with the product, or a current one provided by Kohler Co. (call 1-800-4-KOHLER). Kohler Co. is not responsible for cutout errors when the incorrect cut-out template is used.