



Features

- 12-1/16-inch deep-soaking depth provides a luxurious bathing experience.
- Molded lumbar support offers extra comfort while bathing.
- Integral flange helps prevent water from seeping behind wall and simplifies alcove installation.
- Left-hand drain.
- Available exclusively at The Home Depot.

Material

- Acrylic-capped ABS.
- Boot adds rigidity to the bottom of the bath, creating less flexing of the bath's structure when standing or sitting in it.
- Bath is less prone to cracks during transportation and installation than Acrylic FRP.

Installation

- Three-wall alcove.
- For drain purchase considerations, the distance from tub ledge to floor is 18 inches.
- Recommended drain is K-37383 PureFlo.

Recommended Products/Accessories

- K-7213 27" Cable Bath Drain
- K-7214 27" Cable Bath Drain
- K-7259 Clearflo Bath Drain



ADA

Codes/Standards

CSA B45.5/IAPMO Z124
Greenguard UL 2818 - Gold
ADA
ICC/ANSI A117.1

KOHLER® Plastic Baths and Receptors Lifetime Limited Warranty

See website for detailed warranty information.

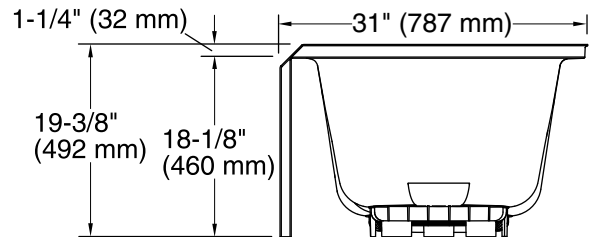
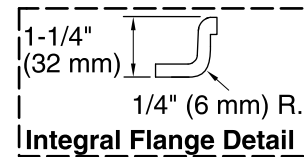
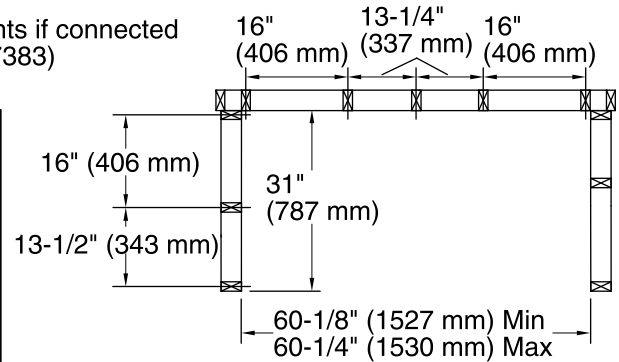
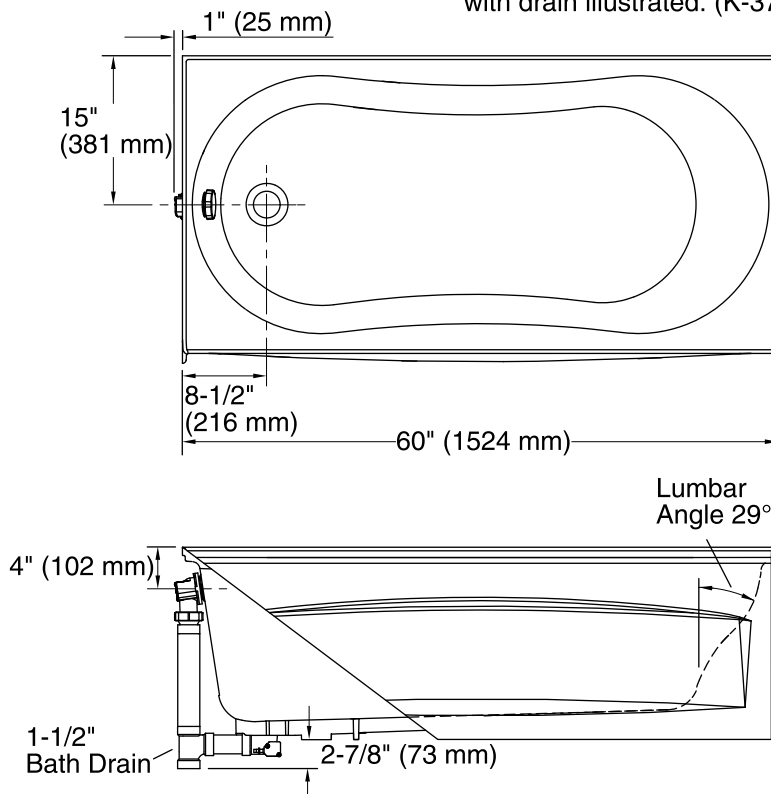
Available Colors/Finishes

Color tiles intended for reference only.

Color Code Description

■ 0 White

No change in measurements if connected with drain illustrated. (K-37383)



Technical Information

All product dimensions are nominal.

Installation:	Three-wall alcove
Drain location:	Left
Basin area, bottom:	47-7/8" x 18-1/16" (1216 mm x 459 mm)
Basin area, top:	56-5/16" x 22-3/16" (1430 mm x 564 mm)
Water depth:	12-1/16" (307 mm)
Water capacity:	46.11 gal (174.5 L)
Minimum flat for door:	1-5/8" (42 mm)

Notes

- Measure your actual product for rough-in details. Install this product according to the installation instructions.
- The hot water supply should be 70% of the capacity of the bath or greater. Installations will vary.
- Ensure that the back wall support block has a stud located in the center.
- Ensure the apron flanges are supported by the studs.
- Plumbers putty will degrade the bath material. Only use 100% silicone sealant when installing the drain.
- ADA compliant when installed to the specific requirements of these regulations.