



# Embark™ | K-R33291

20" x 32" arched medicine cabinet

## Features

- 4" (102 mm) -deep shelves offer more room for larger jars, bottles, and grooming supplies
- Two adjustable tempered-glass shelves offer additional bathroom storage
- Full-overlay mirrored door with flat edges and arched top
- Mirrored interior
- Three-way adjustable soft-close hinges with 105° opening capability for easy cabinet access
- Easy-hang bracket mounts cabinet securely and simplifies surface-mount applications
- Includes side mirror kit for surface-mount installation



## Available Colors/Finishes

*Color tiles intended for reference only.*

<sup>NA</sup> NA Not Applicable



1-800-4KOHLER (1-800-456-4537)  
Kohler Co. reserves the right to make revisions without notice to product specifications.  
For the most current specification sheet, go to [www.kohler.com](http://www.kohler.com) USA or [www.kohler.ca](http://www.kohler.ca) Canada.  
3-27-2026 18:18 - US-CA

THE BOLD LOOK  
OF **KOHLER**

## Codes/Standards

*None Applicable*

---

## Technical Information

*All product dimensions are nominal.*

Lighting Included: No  
Mirror Type: Polished Edge

Cutout  
Depth: 5" (127 mm)

---

## Material

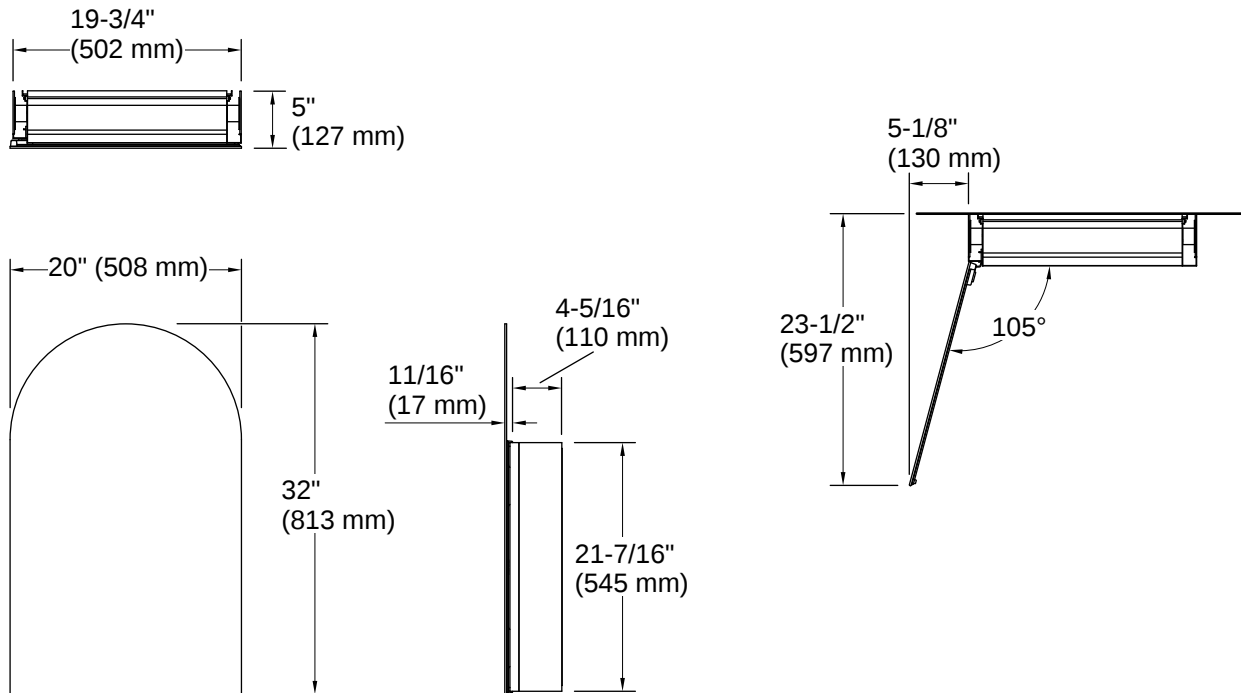
- Anodized aluminum construction with a durable rustproof and chip-resistant finish
- 

## Warranty

*See website for detailed warranty information.*

KOHLER® One-Year Limited Warranty





## Installation

- Mirrored door extends 10-1/2" (267 mm) above actual cabinet height of 21-1/2" (546 mm)
- Surface-mount or recessed
- Left-hand swing
- Includes mounting hardware for surface or recessed installation

## Installation Notes

*Install this product according to the installation instructions.*

Cutout for recess-mount installation: 18-3/8" (467 mm) width 20-3/4" (527 mm) height 4" (102 mm) depth.

**IMPORTANT!** For recess mounting, the wall cavity must be framed and cabinet secured to framing studs. Reroute any electrical wires or water supply piping from the wall cavity. If you encounter drain or vent piping, or if your wall is load-bearing, consult a professional before proceeding.

**CAUTION:** Risk of property damage. For surface mounting, use anchors (not provided) rated for the loaded weight of this product. Refer to the anchor manufacturer's instructions.

When determining the height of the medicine cabinet, ensure the mirrored door will clear all obstacles (such as a faucet). A minimum distance of 3" (76 mm) is required.

