

### Features

- Kinesis® technology with concealed sensor allows for a clean aesthetic and provides extraordinarily accurate and reliable actuation in varying installation environments
- Below-counter valving reduces the faucet footprint and provides easier service
- Design-forward aesthetic for commercial bathroom spaces
- 0.5 gpm (1.9 lpm) maximum flow rate
- Requires K-13480 single or K-13481 multiple AC adapter unit
- On-demand usage with 30-second max. continual run cycle to prevent vandalism and save water
- Vandal-resistant aerator
- 18" (457 mm) stainless steel braided flexible supply hose for easy installation
- 5-1/4" (133 mm) spout reach
- Less drain
- Concealed mechanical mixer sold separately
- Complies with the Safe Drinking Water Act (SDWA)
- Includes spout assembly, control box assembly, supply hose, and standard mounting hardware

### Material

- Metal construction spout

### Technology

- Kinesis® sensor technology offers on-demand detection for maximum water savings

### Installation

- Single-hole mounting



ADA CSA B651 OBC

### Codes/Standards

ASME A112.18.1/CSA B125.1  
NSF/ANSI/CAN 61  
NSF/ANSI/CAN 372  
All applicable US Federal and State material regulations  
DOE - Energy Policy Act 1992  
California Energy Commission (CEC)  
ADA  
ICC/ANSI A117.1  
CSA B651  
OBC  
IAPMO Certification

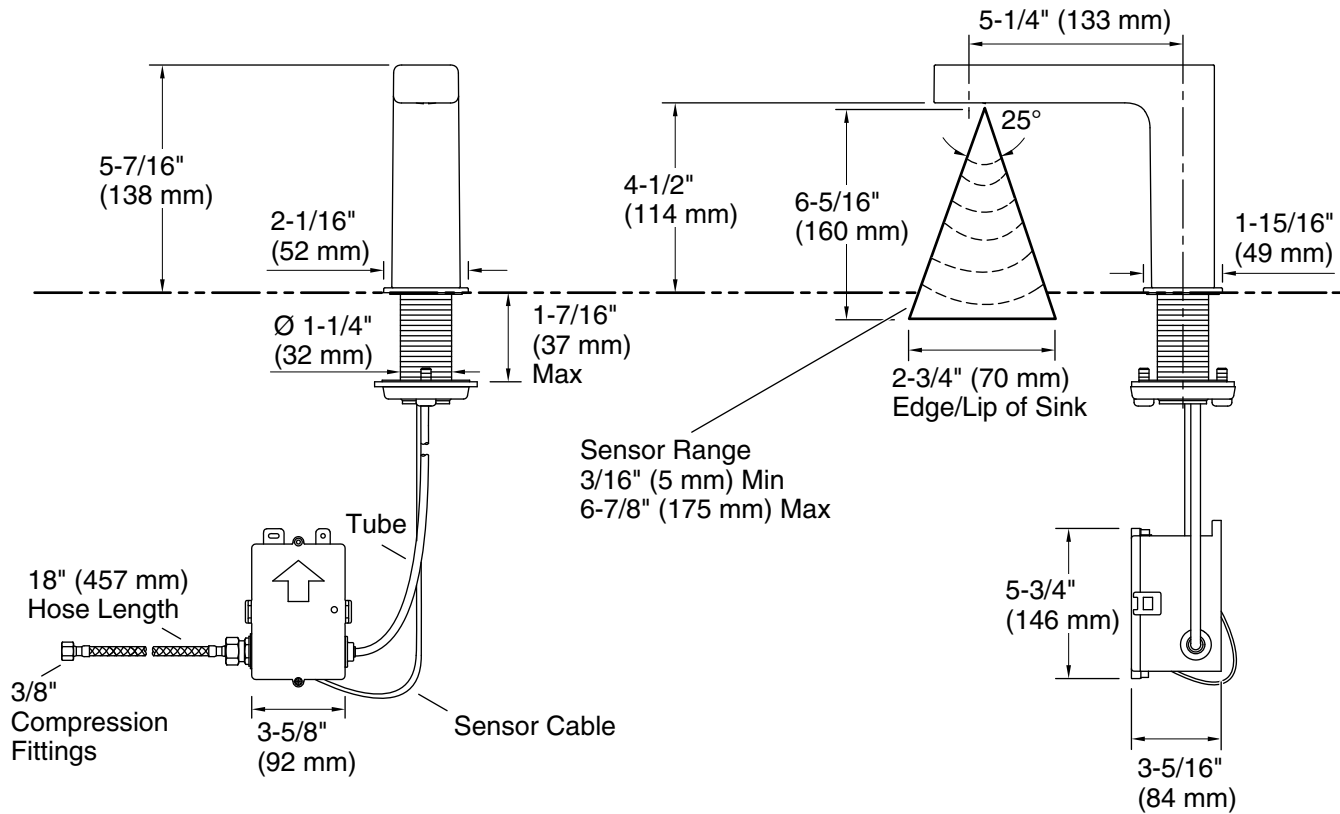
### KOHLER® One-Year Limited Warranty

See website for detailed warranty information.

### Available Colors/Finishes

*Color tiles intended for reference only.*

Color	Code	Description
	CP	Polished Chrome



### Technical Information

All product dimensions are nominal.

Drain included: No  
 Drain with overflow: Yes

### Spout:

Spout reach: 6-5/8" (168 mm)

### Notes

Install this product according to the installation instructions.

ADA, OBC, CSA B651 compliant when installed to the specific requirements of these regulations.