

Features

- Set includes: Cabinet, precut Silestone® quartz vanity top, sink, cabinet hardware, mounting hardware for sink
- Vanity top has single faucet hole with pilot holes for optional 8" (203 mm) widespread faucet configuration
- Three-way adjustable slow-close door hinges for easy cabinet access
- Full-extension 18" (457 mm) depth drawer with soft-close undermount slides for smooth opening
- Solid wood drawer with dovetail joint construction
- Vanity top is covered under the Silestone® 25-Year Limited Warranty
- Silestone® quartz provides exceptional durability and stain resistance, making it easy to maintain
- Caxton® Rectangle undermount sink has a streamlined design that is easy to clean
- Customize your storage with optional in-door and in-drawer accessories and medicine cabinet surrounds and side kits (sold separately)
- Optional vanity top side and backsplashes available (sold separately)

Material

- Solid and composite wood
- Silestone® quartz vanity top
- Vitreous china sink
- Premium metal hardware for durability and reliability

Installation

- Wall-mount

Required Products/Accessories

- K-28262 Silestone® quartz 31" backsplash
- K-33585 Drawer organizer set
- K-5445 Bathroom Vanity Top - Back Splash
- K-5451 Bathroom Vanity Top - Side Splash
- K-99565 Metal Vanity Legs
- K-99681 Electrical outlets for KOHLER Tailored® vanities
- K-99682 General storage package for KOHLER Tailored® vanities
- K-99683 Makeup storage package for KOHLER Tailored® vanities
- K-99684 Drawer divider package for KOHLER Tailored® vanities
- K-99688 3" cabinet pull
- K-99738 Appliance Tray

Included Components

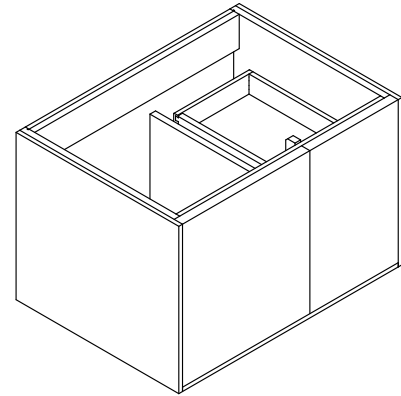
Product consists of:

1-800-4KOHLER (1-800-456-4537)

Kohler Co. reserves the right to make revisions without notice to product specifications.

For the most current Specification Sheet, go to www.kohler.com.

3-5-2023 05:18 - US/CA/MX

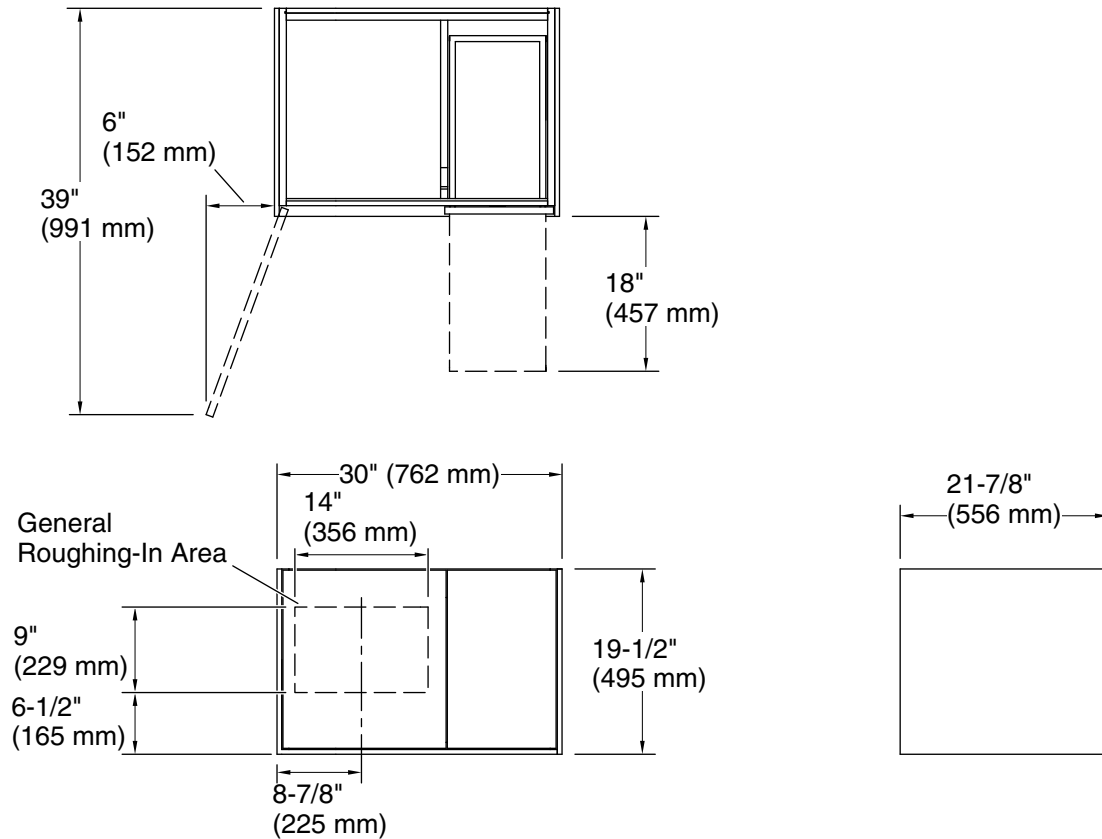


Codes/Standards

EPA TSCA Title VI/CARB P2

KOHLER® One-Year Limited Warranty

See website for detailed warranty information.



Technical Information

All product dimensions are nominal.