

### Features

- Audio amplifier with Bluetooth connectivity for wireless streaming of audio input.
- Reads your music or audio preferences and selections from any Bluetooth enabled device.
- Designed for use with the DTV+ digital system but can also be used as a standalone Bluetooth enabled amplifier.
- Connects with up to four Kohler SoundTile® water resistant speakers (or any standard 4 or 8 ohm speakers).
- Standby mode.
- User definable device name and PIN code option when used with DTV+ digital system.
- Two 3.5mm input jacks for wired audio input.
- One 3.5mm line out jack.
- Screw terminal block for two to four speakers.
- One port for connection to DTV+ System Controller.
- One jack for power cord connection.
- Syncs with devices enabled with BLUETOOTH® wireless technology including smart phones, MP3 players, tablets and laptops located up to 33 feet away.

### Material

- Premium material construction for durability and reliability

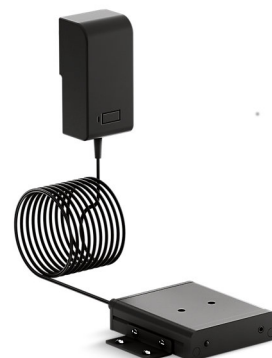
### Installation

- Supplied with rubber feet for locating on a countertop or shelf or can be wall mounted (mounting bracket and screws included).

### Optional Products/Accessories

K-99693 Digital Interface  
K-99694 Interface Mounting Bracket  
K-99695 System Controller Module  
K-8033 Speaker (Pair)

Loose component/s: Power supply with universal plug-in adapters for NA, UK, EU, SAA, 5.75 FT(1.75 M) cord, 6 FT(1.83 M) RJ45 cable, Brackets for wall mounting, Connector for speaker wires for 2-4 speakers , Screws, and Drywall anchors.



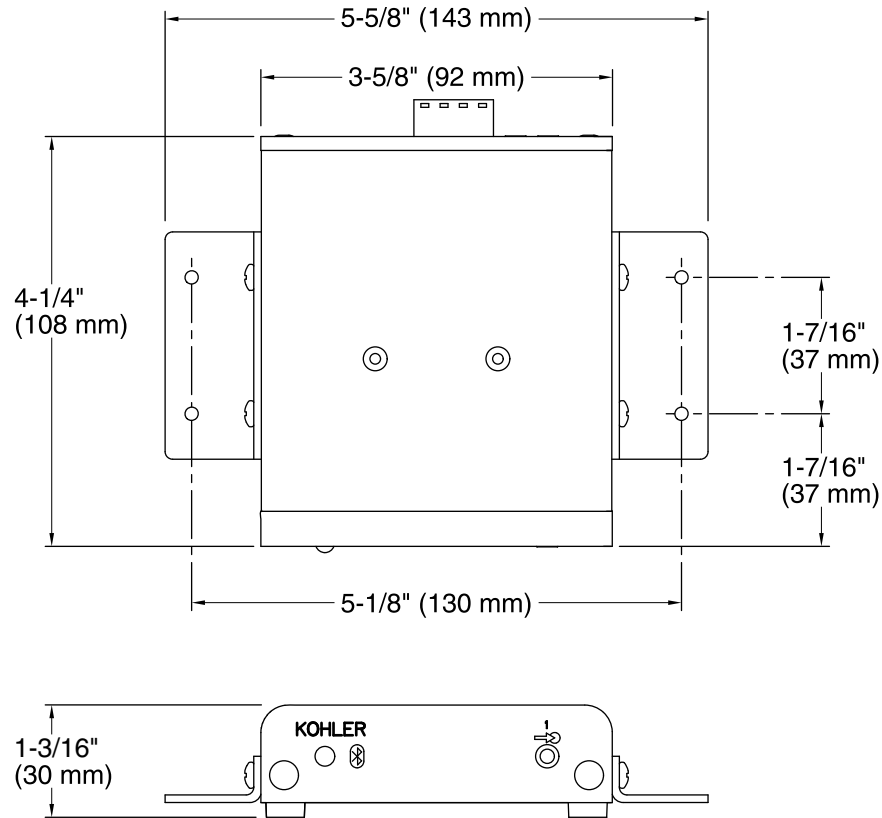
### Codes/Standards

None Applicable

### KOHLER® Electronic Faucets, Valves, and Controls Five-Year Limited Warranty

See website for detailed warranty information.

The BLUETOOTH® word mark and logos are registered trademarks owned by Bluetooth SIG, Inc. and any use of such marks by Kohler Co. is under license. Other trademarks and trade names are those of their respective owners.



### Required Electrical Service

One circuit required, protected with Class A Ground-Fault Circuit-Interrupter (GFCI). Outside North America, this device may be known as a Residual Current Device (RCD).

120-240 V, 1.2 A, 50/60 Hz

### Technical Information

All product dimensions are nominal.

Power source: Plug - AC, included  
 Amplifier channels: 1 at 20 W per channel  
 Minimum impedance: 4 Ohms  
 Bluetooth® range: 33 ft (0.8 m)  
 Max. Ambient temp: 104°F (40°C)  
 Max. Relative humidity non-condensing: 90%  
 Output power: 20 Watts x 1 into 4 Ohms

### Notes

Install this product according to the installation guide.

**CAUTION:** Risk of product damage. Do not install near heat sources (such as radiators or heat registers) or in any location where the temperature may exceed 104°F (40°C).

This product is not water-resistant. Do not install in a location where excessive moisture, high humidity levels, or condensation are present.

Provide a minimum of 6" (152 mm) of space around the amplifier for proper air flow.

Provide unrestricted service access to the amplifier.

Locate the amplifier within close proximity to a 15 A 120 V electrical outlet. A GFCI outlet may be required in certain applications.

Amplifier allows 2-speaker or 4-speaker stereo output. Determine the amplifier and speaker locations, allowing adequate reach for wires.