

Features

- Slip-fit connection
- Fluid design lines for ease of cleaning.
- For use with KOHLER showerheads (sold separately).

Material

- Metal construction

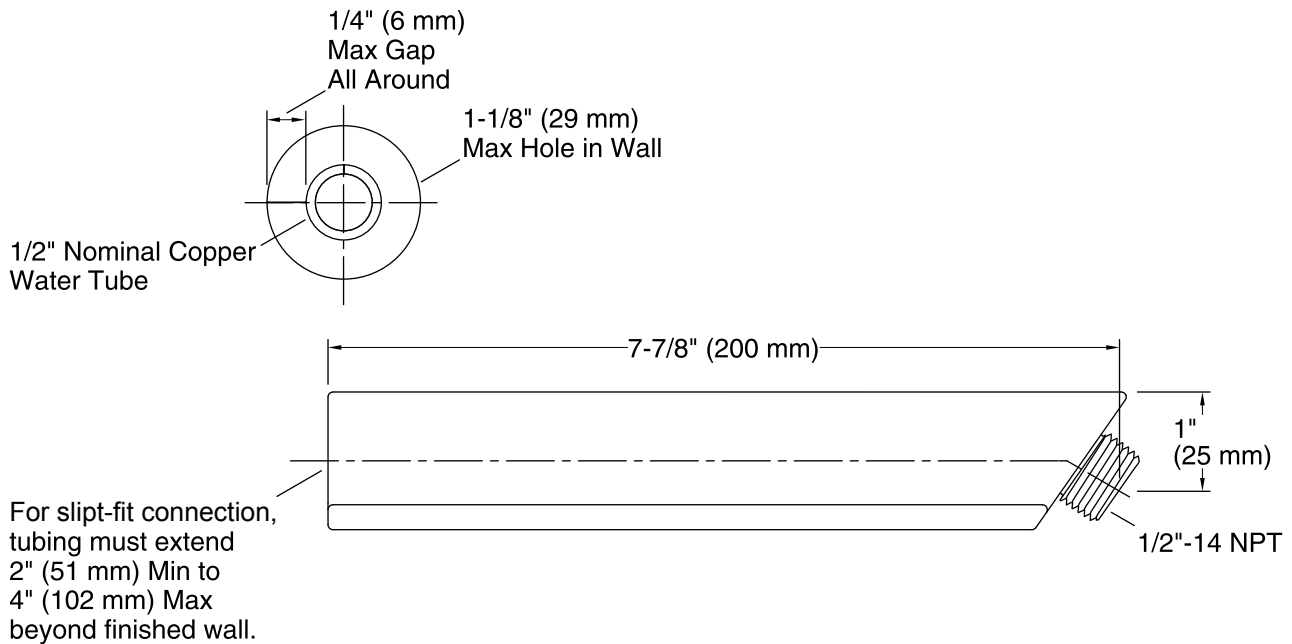


Codes/Standards

ASME A112.18.1/CSA B125.1

KOHLER® Faucet Lifetime Limited Warranty

See website for detailed warranty information.



Technical Information

All product dimensions are nominal.

Notes

Install this product according to the installation guide.

Product installs using a slip-fit connection to a 1/2" nominal copper tubing.