

## Features

- Internal LED light guides provide optimally bright bathroom vanity lighting for grooming tasks.
- Brightness at 1300 lumens ensures consistent lighting with no hot spots or dark spots.
- Approx. 3000 Kelvin light appearance delivers a neutral light ideal for overall bathroom aesthetics as well as tasks.
- Minimum 80 CRI (color rendering index) lets you see yourself in the truest light for makeup application, grooming, and skin care.
- Integrated LED bulbs have an estimated life expectancy of 36,000 hours.
- Compatible with wall-mount LED dimmers (not included), which allows you to control lighting from multiple locations in the room.
- Internal aluminum shelf has two electrical outlets for powering small devices such as toothbrushes and shavers.
- Two adjustable tempered-glass shelves offer additional bathroom storage.
- Vertically adjustable flip-out 3x magnifying mirror on inside of door.
- Front mirror, inside door mirror, and back panel mirror provide superior visibility.
- 110-degree door swing with slow-close hinges.
- UL certified.
- Compatible with KOHLER Tailored Vanity medicine cabinet surrounds and side kits.

## Material

- Anodized aluminum construction with a durable rust-free and chip-free finish.

## Installation

- Can be installed with left- or right-hand swing.
- Includes mounting hardware for surface or recessed installation.
- Mirrored side kits for surface mount installation sold separately.

## Recommended Replacements

- This product is replaced by 99007-TLC.

## Required Products/Accessories

K-99012 mirrored side kit for medicine cabinet

or

K-99675 Medicine Cabinet Wood Side Kit

## Recommended Products/Accessories

K-99661-24 Medicine Cabinet Surround

K-99662-24 Medicine Cabinet Surround

K-99663-24 Medicine Cabinet Surround

K-99661-15 Medicine Cabinet Surround

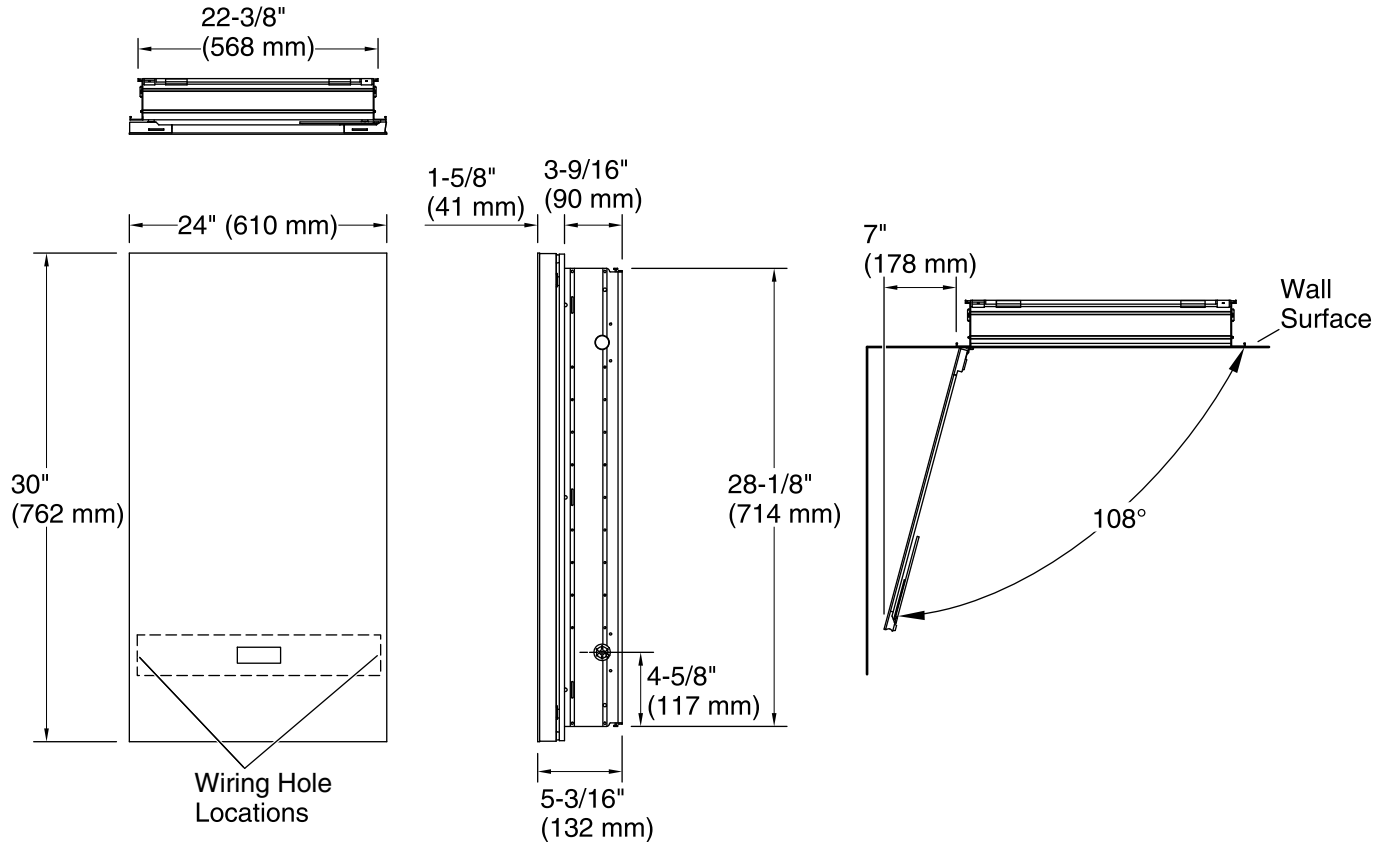


## Codes/Standards

UL 962

## KOHLER® One-Year Limited Warranty

See website for detailed warranty information.



## Required Electrical Service

One circuit required, protected with Class A Ground-Fault Circuit-Interrupter (GFCI). Outside North America, this device may be known as a Residual Current Device (RCD).

Outlet, Lights: 120 V, 15 A, 60 Hz

## Technical Information

All product dimensions are nominal.

### Recess-Mount Cutout:

Width:	23-1/2" (597 mm)
Height:	28-1/4" (718 mm)
Depth:	3-11/16" (94 mm)
Electrical component rating:	Outlet: 120 V, 15 A, 60 Hz Lights: 120 V, 0.8 A, 60 Hz

## Notes

Install this product according to the installation guide.

To recess mount, the wall cavity must be framed and the cabinet secured to framing studs. Reroute electrical or water supply lines from the cavity. Consult a professional if drain or vent piping is encountered, or if the wall is load-bearing.

To determine the height of the cabinet, ensure the door will clear all obstacles (such as a faucet). A minimum 3" (76 mm) distance is required.

A dimmer switch is required. This product is compatible with most residential dimmer switches intended for incandescent and dimmable LED bulbs.

Cutout for recess-mount installation: 23-1/2" (597 mm) width x 28-1/4" (718 mm) height x 3-11/16" (94 mm) depth.