



Purist® | K-939-H

Single-function showerhead, 1.5 gpm

Features

- Optimized sprayface with 48 nozzles delivers a more focused coverage of large water droplets
- 5-1/2" (140 mm) diameter sprayface
- 1.5 gpm (5.7 lpm) maximum flow rate showerhead allows you to save water without sacrificing performance or coverage
- MasterClean™ sprayface features an easy-to-clean surface that withstands mineral buildup and maximizes spray performance
- 1/2" NPT connection
- Complements Purist faucets and accessories
- This product can help a building earn Water Efficiency points in LEED® Green Building Rating System



Sustainability



Available Colors/Finishes

Color tiles intended for reference only.

- CP Polished Chrome
- SN Vibrant Polished Nickel
- AF Vibrant French Gold
- BN Vibrant Brushed Nickel
- BV Vibrant Brushed Bronze
- BL Matte Black
- 2MB Vibrant Brushed Moderne Brass
- BGP Brushed Graphite
- TT Vibrant Titanium



1-800-4KOHLER (1-800-456-4537)
Kohler Co. reserves the right to make revisions without notice to product specifications.
For the most current specification sheet, go to www.kohler.com USA or www.kohler.ca Canada.
3-27-2026 19:3 - US-CA

THE BOLD LOOK
OF **KOHLER**

Codes/Standards



ASME A112.18.1/CSA B125.1
DOE - Energy Policy Act 1992
EPA WaterSense®
California Energy Commission (CEC)

Technical Information

All product dimensions are nominal.

Flow Rate

Shower/Rainhead Rated 1.5 gpm (5.7 l/min)
Maximum Flow:

Valves

Included Valve: Volume Control

Material

- KOHLER finishes resist corrosion and tarnishing
-

Recommended Products/Accessories

K-23723 Faucet cleaner

Technology

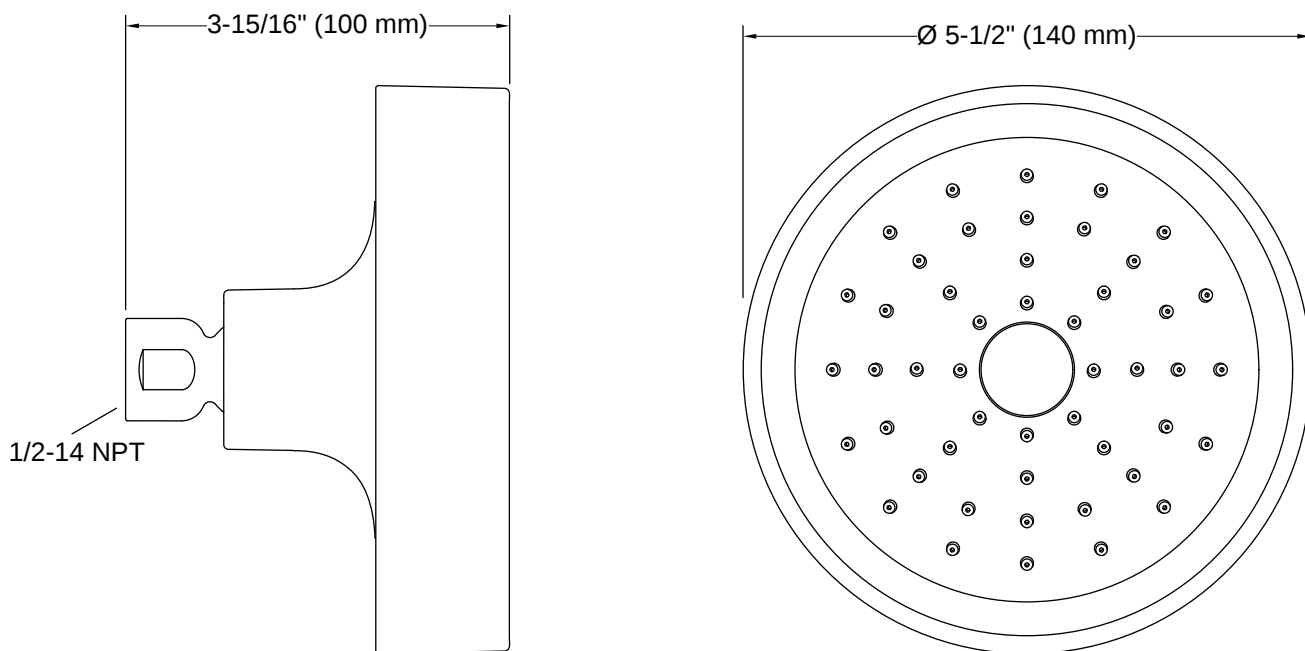
- Katalyst® air-induction technology infuses water with air, creating bigger drops for a more powerful spray
-

Warranty

See website for detailed warranty information.

KOHLER® Faucet Lifetime Limited Warranty





Installation

- Wall-mount
- Shower arm and flange sold separately

Installation Notes

Install this product according to the installation instructions.

For use with automatic compensating valves rated at 1.5 gal/min (5.7 l/min) or less.

