

Mach Flex™ | K-91TB10K50-7BK

Glass faceplate for concealed touchless toilet flushometer, 1.0 gpf

Features

- Touchless glass sensor faceplate only. Requires KOHLER® rough-in toilet valve and AC or DC power supply to complete full system solution
- Water-saving 1.0 gpf (3.8 lpf) flush valve uses 22% less water than 1.28 gpf (4.8 lpf) flush valves
- Flex sensor technology utilizes advanced time-of-flight sensor technology to deliver accurate activation
- Optimized faceplate size for front-access servicing
- AC-power options available in single-supply or multi-supply. DC-power option delivers approximately 10 years of performance (80 uses/day)
- Fully mechanical manual override



Sustainability



Available Colors/Finishes

Color tiles intended for reference only.

- CP Polished Chrome
- BN Vibrant Brushed Nickel
- BL Matte Black
- 2MB Vibrant Brushed Moderne Brass



1-800-4KOHLER (1-800-456-4537)

Kohler Co. reserves the right to make revisions without notice to product specifications. For the most current specification sheet, go to www.kohler.com USA or www.kohler.ca Canada.
3-27-2026 17:33 - US-CA

Codes/Standards

ADA, OBC, CSA B651 compliant when installed to the specific requirements of these regulations.

This product should be used with a WaterSense labeled counterpart with the same rated flush volume to ensure the complete system meets the requirements of this specification for water efficiency and performance.



ADA CSA B651 OBC

ASSE 1037/ASME A112.1037/CSA B125.37

EPA WaterSense®

ADA

ICC/ANSI A117.1

CSA B651

OBC

Warranty

See website for detailed warranty information.

KOHLER® One-Year Limited Warranty

Valves

Required Valve: Volume Control

Material

- Durable tempered glass construction

Technology

- Automatic sentinel flush occurs after 24 hours of non-use to keep trapway fresh
- Designed to communicate wirelessly with Cortex™ mobile app for flushometer parameter adjustments via approved tech professionals only

Connectivity



The BLUETOOTH® word mark and logos are registered trademarks owned by Bluetooth SIG, Inc. and any use of such marks by Kohler Co. is under license.

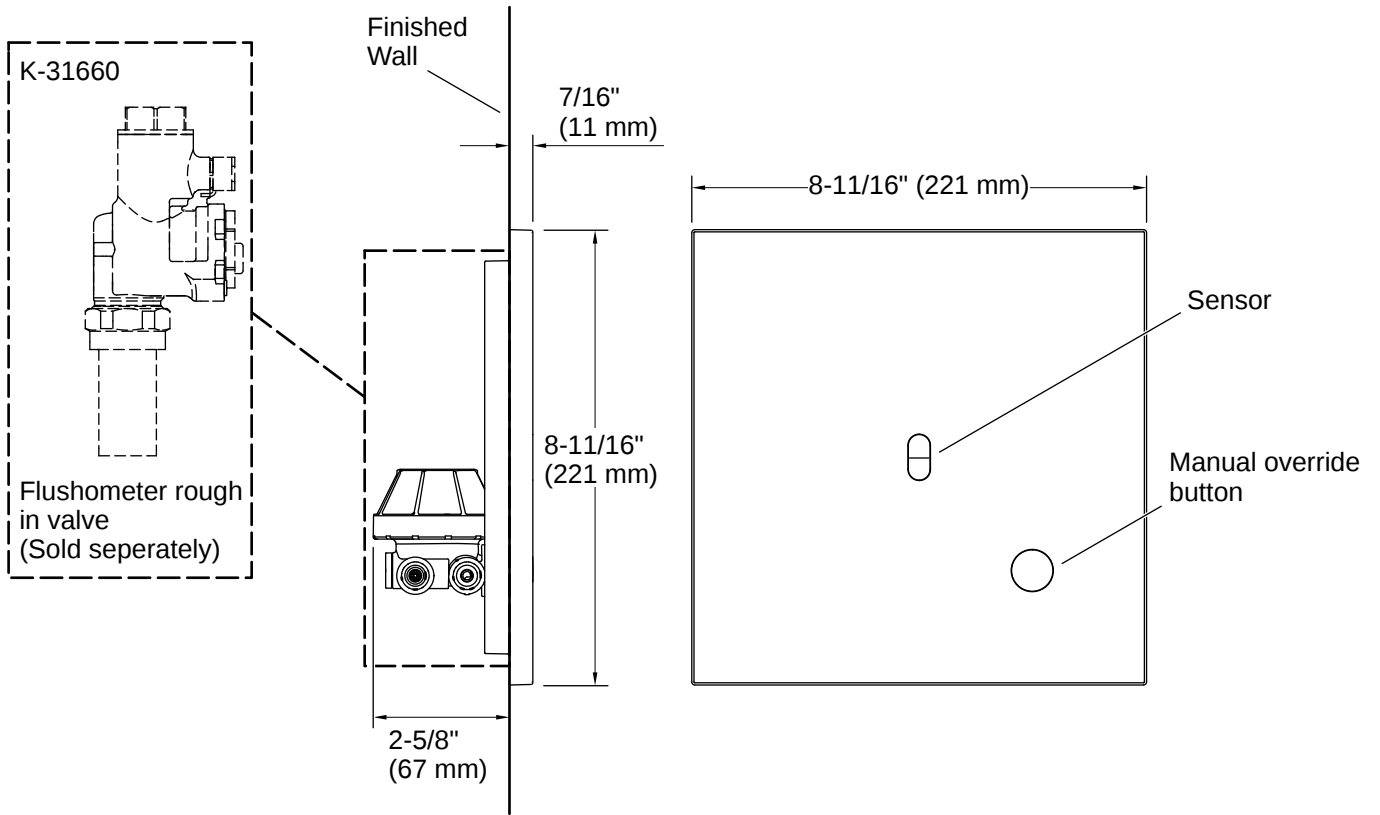


1-800-4KOHLER (1-800-456-4537)

Kohler Co. reserves the right to make revisions without notice to product specifications.

For the most current specification sheet, go to www.kohler.com USA or www.kohler.ca Canada.

3-27-2026 17:33 - US-CA



Installation Notes

Install this product according to the installation instructions.

This product should be used with a WaterSense labeled counterpart with the same rated flush volume to ensure the complete system meets the requirements of this specification for water efficiency and performance.

ADA, OBC, CSA B651 compliant when installed to the specific requirements of these regulations.

