



# Mach Flex™ | K-90TB00K50

Metal faceplate for concealed touchless toilet flushometer, 1.0 gpf

## Features

- Touchless metal sensor faceplate only. Requires KOHLER® rough-in toilet valve and AC or DC power supply to complete full system solution
- Water-saving 1.0 gpf (3.8 lpf) flush valve uses 22% less water than 1.28 gpf (4.8 lpf) flush valves
- Flex sensor technology utilizes advanced time-of-flight sensor technology to deliver accurate activation
- Optimized faceplate size for front-access servicing
- AC-power options available in single-supply or multi-supply. DC-power option delivers approximately 10 years of performance (80 uses/day)
- Fully mechanical manual override



## Sustainability



## Available Colors/Finishes

*Color tiles intended for reference only.*

- CP Polished Chrome
- BN Vibrant Brushed Nickel
- BL Matte Black
- 2MB Vibrant Brushed Moderne Brass



1-800-4KOHLER (1-800-456-4537)  
Kohler Co. reserves the right to make revisions without notice to product specifications.  
For the most current specification sheet, go to [www.kohler.com](http://www.kohler.com) USA or [www.kohler.ca](http://www.kohler.ca) Canada.  
3-27-2026 19:8 - US-CA

THE BOLD LOOK  
OF **KOHLER**®

## Codes/Standards

ADA, OBC, CSA B651 compliant when installed to the specific requirements of these regulations.

*This product should be used with a WaterSense labeled counterpart with the same rated flush volume to ensure the complete system meets the requirements of this specification for water efficiency and performance.*



ADA    CSA B651    OBC

ASSE 1037/ASME A112.1037/CSA B125.37

EPA WaterSense®

ADA

ICC/ANSI A117.1

CSA B651

OBC

## Warranty

See website for detailed warranty information.

KOHLER® One-Year Limited Warranty

## Valves

Required Valve:                      Volume Control

## Material

- Durable metal construction

## Technology

- Automatic sentinel flush occurs after 24 hours of non-use to keep trapway fresh
- Designed to communicate wirelessly with Cortex™ mobile app for flushometer parameter adjustments via approved tech professionals only

## Connectivity



The BLUETOOTH® word mark and logos are registered trademarks owned by Bluetooth SIG, Inc. and any use of such marks by Kohler Co. is under license.

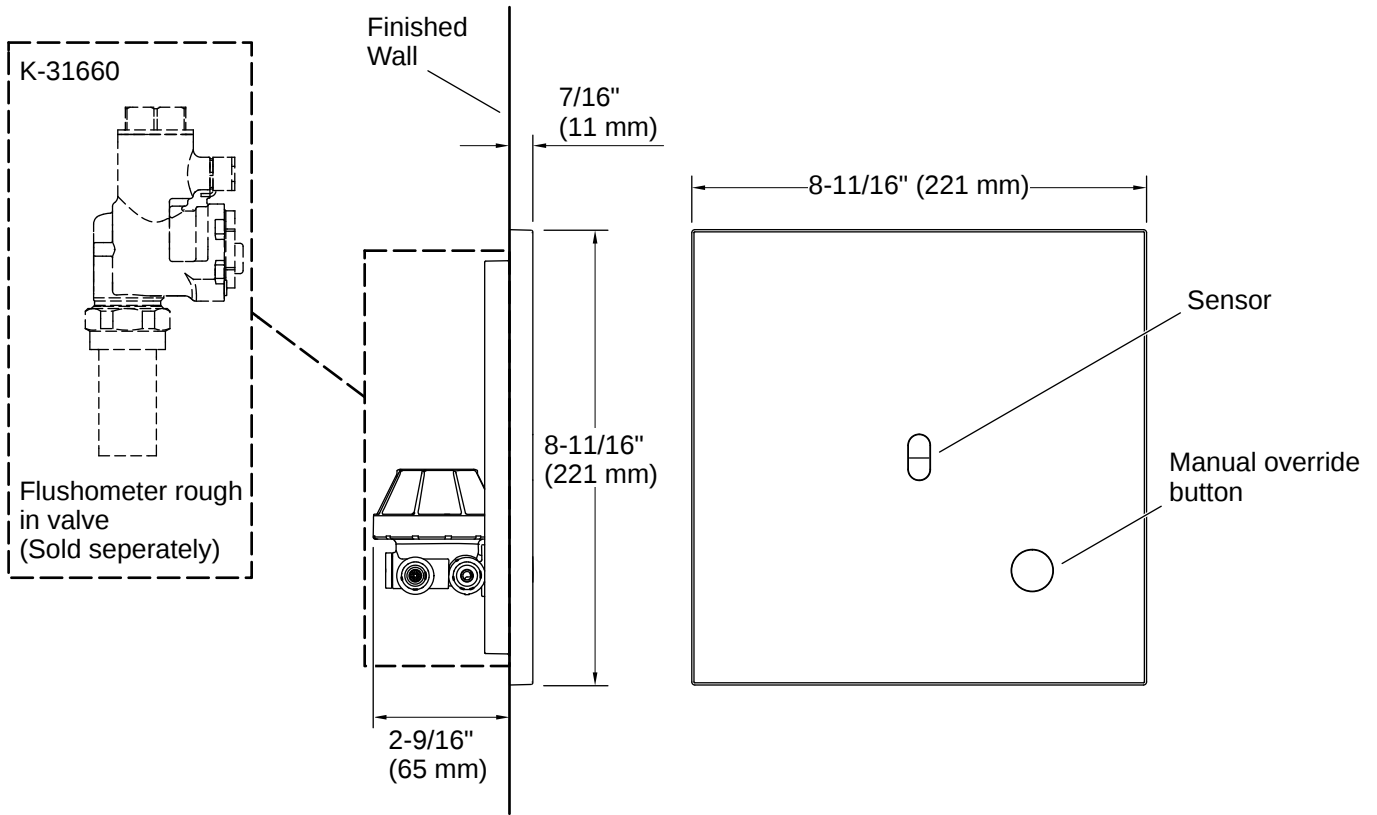


1-800-4KOHLER (1-800-456-4537)

Kohler Co. reserves the right to make revisions without notice to product specifications.

For the most current specification sheet, go to [www.kohler.com](http://www.kohler.com) USA or [www.kohler.ca](http://www.kohler.ca) Canada.

3-27-2026 19:8 - US-CA



## Installation Notes

*Install this product according to the installation instructions.*

This product should be used with a WaterSense labeled counterpart with the same rated flush volume to ensure the complete system meets the requirements of this specification for water efficiency and performance.

ADA, OBC, CSA B651 compliant when installed to the specific requirements of these regulations.

