



Tea-for-Two®

5.5' BubbleMassage™ Bath

K-856-GC96

Features

- 40 airjets release thousands of bubbles that surround, support, and massage the body.
- Variable-speed blower lets you adjust massage intensity to 18 levels.
- Zones of Control feature allows you to target massage to back, midsection, or feet.
- Chromatherapy lighting allows you to select a preferred color scheme to suit your mood.
- Electronic keypad.
- Spacious design accommodates up to two bathers.
- Safeguard® slip-resistant surface on bath floor.
- Immediate and manual purge cycles remove residual water from air channels after use.
- End drain.
- Under-mountable

Material

- KOHLER® enameled cast iron.

Hydrotherapy

- BubbleMassage

Installation

- Drop-in or under-mount.

Required Products/Accessories

K-7147-AF 1-1/2" Contoured Pop-up Drain

Recommended Products/Accessories

K-1705 Whirlpool/BubbleMassage™ Remote Control

K-587 Under-Mount Installation Kit

K-9498 3" Keypad Trim

K-1179 Vinyl Tiling-in Bead



Codes/Standards

ASME A112.19.1/CSA B45.2

ASME A112.19.7/CSA B45.10

ASTM F462

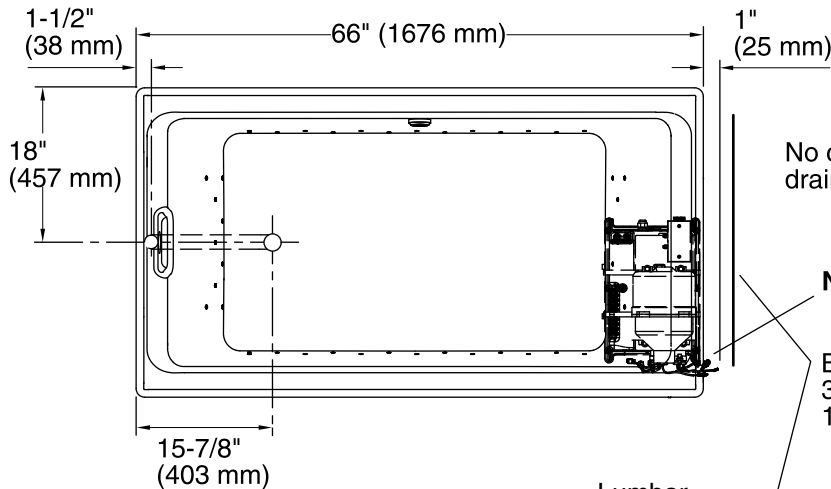
UL 1795

CSA C22.2 No. 218.2

KOHLER® Enameled Cast Iron Bath and Shower Base Lifetime Limited Warranty

KOHLER® Hydrotherapy Components Five-Year Limited Warranty

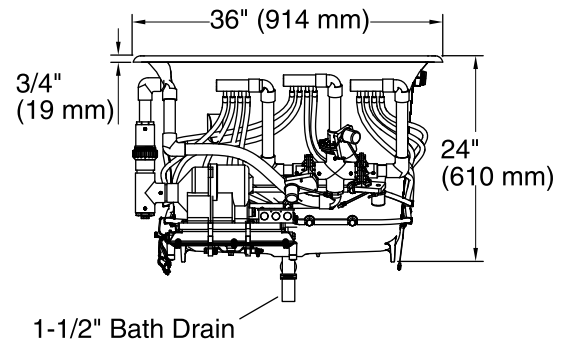
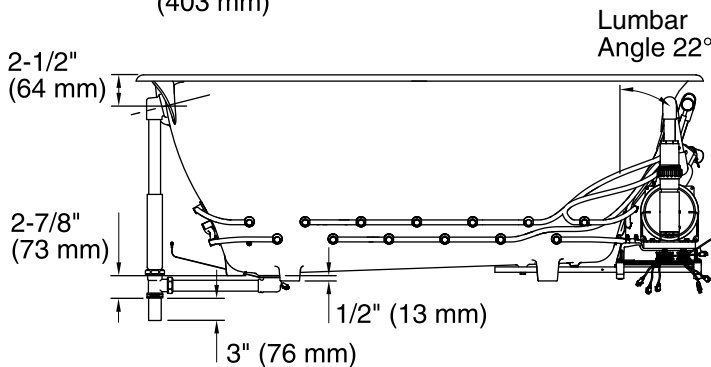
See website for detailed warranty information.



No change in measurements if connected with drain illustrated. (K-7147-AF)

NOTE: Blower protrusion beyond the rim.

Blower Motor/Control Access
34" (864 mm) W x
15" (381 mm) H



Required Electrical Service

One dedicated circuit required, protected with Class A Ground-Fault Circuit-Interrupter (GFCI). Outside North America, this device may be known as a Residual Current Device (RCD).

Blower: 240 V, 15 A, 50/60 Hz

Technical Information

All product dimensions are nominal.

Installation:	Drop-in, Under-mount
Drain location:	End
Basin area, bottom:	45" x 25" (1143 mm x 635 mm)
Basin area, top:	58" x 29" (1473 mm x 737 mm)
Weight:	510 lbs (231.3 kg)
Minimum floor load:	86 lbs/ft ² (419.9 kg/m ²)
Water depth:	19-1/2" (495 mm)
Water capacity:	105 gal (397.5 L)
Cutout:	Drop-in, 64-1/2" x 34-1/2" (1638 mm x 876 mm)
Template:	Under-mount, K-587, required, not included
Electrical component rating:	Blower: 240 V, 5 A, 50/60 Hz

Notes

Measure your actual product for rough-in details. Install this product according to the installation instructions.

The hot water supply should be 70% of the capacity of the bath or greater. Installations will vary.

Kit is required for under-mount installations (sold separately).

If relocating the blower motor, do not relocate or alter the PVC tee or coiled flexible tubing connected to the blower. Follow the blower relocation instructions exactly. Provide access for servicing the blower.