

#### Features

- Six Flexjet® hydromassage jets can be individually adjusted for water flow and direction.
- Built-in heater.
- Integral lumbar support.
- Textured bottom surface.
- Multiple pump location options give you more choices for installation and access. (See specification sheet for pump locations.)
- Single-speed whirlpool offers performance and value, with 6 fully adjustable jets.

#### Material

- KOHLER® enameled cast iron.

#### Installation

- Drop-in or undermount.
- Reversible drain.

#### Required Products/Accessories

K-9696 Whirlpool 6-Jet Trim Kit

or

K-23856 1-1/2" cable pop-up bath drain

or

K-23857 Bath drain trim

#### Recommended Products/Accessories

K-1179 Vinyl Tiling-in Bead

K-1703 Whirlpool Remote Control

K-586 Under-Mount Installation Kit

K-1172 Adjustable feet

K-1491 Bath/Whirlpool Pillow

K-1601 Bath/Whirlpool Footstop

K-702200-G54 Frameless Sliding Bath Door

K-702200-G73 Frameless Sliding Bath Door

K-702200-L Frameless Sliding Bath Door

K-702205-L Frameless Sliding Bath Door

K-23726 Drain treatment

K-23725 Cast iron cleaner



ADA

#### Codes/Standards

ASME A112.19.7/CSA B45.10

ASME A112.19.1/CSA B45.2

ASTM F462

UL 1795

CSA C22.2 No. 218.2

ADA

ICC/ANSI A117.1

#### KOHLER® Hydrotherapy Components Five-Year Limited Warranty





#### KOHLER® Enameled Cast Iron Bath and Shower Base Lifetime Limited Warranty

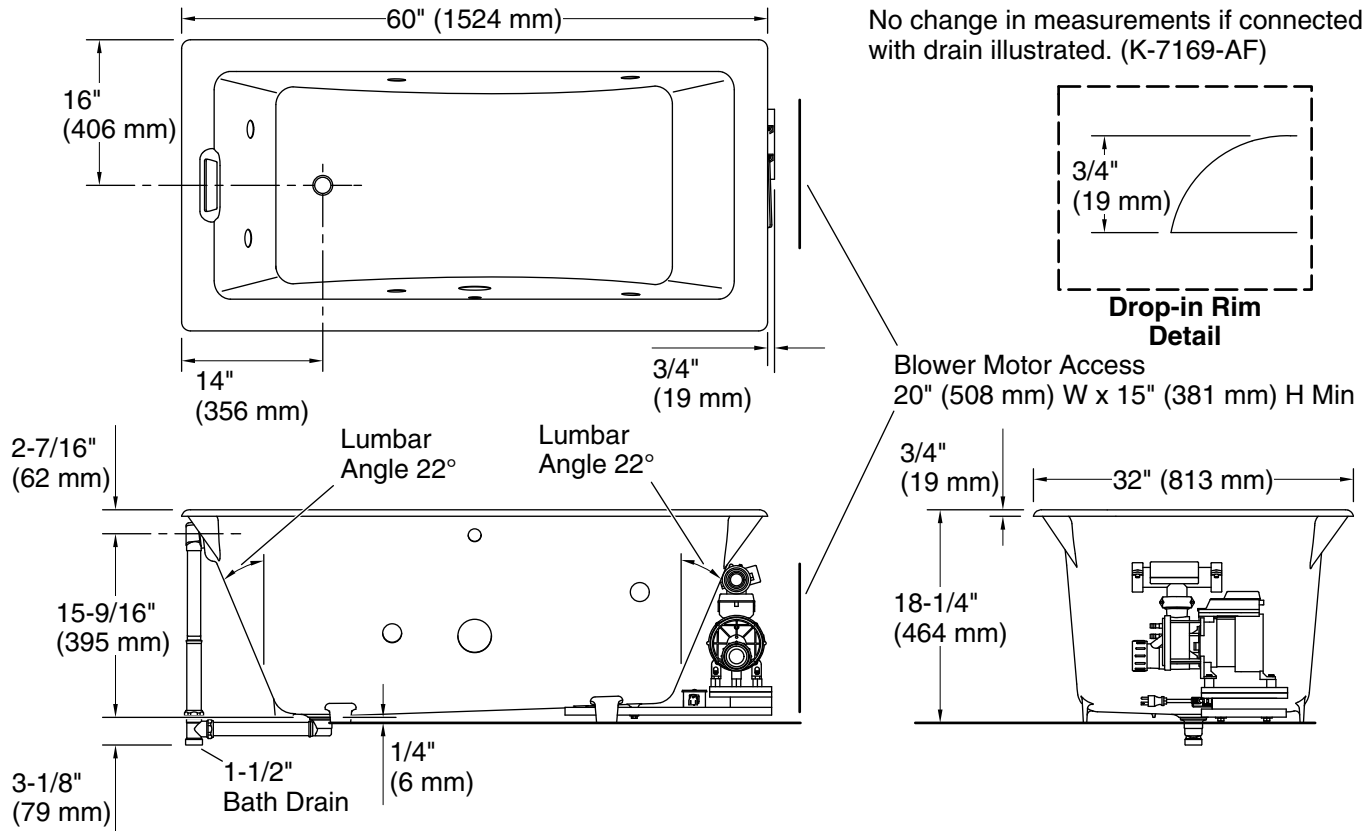
See website for detailed warranty information.

#### Available Colors/Finishes

*Color tiles intended for reference only.*

Color	Code	Description
-------	------	-------------

	0	White
	96	Biscuit
	NY	Dune
	7	Black Black™



### Required Electrical Service

Two dedicated circuits required, protected with Class A Ground-Fault Circuit-Interrupter (GFCI). Outside North America, this device may be known as a Residual Current Device (RCD).

Pump: 120 V, 15 A, 60 Hz  
Heater: 120 V, 15 A, 60 Hz

### Technical Information

All product dimensions are nominal.

Installation: Drop-in, Undermount  
Drain location: Reversible  
Basin area, bottom: 40-1/2" x 20" (1029 mm x 508 mm)  
Basin area, top: 52-3/4" x 24" (1340 mm x 610 mm)  
Weight: 290 lbs (131.5 kg)  
Minimum floor load: 60 lbs/ft<sup>2</sup> (292.9 kg/m<sup>2</sup>)  
Water depth: 13-5/8" (346 mm)  
Water capacity: 60 gal (227.1 L)  
Cutout: Drop-in, 58-1/2" x 30-1/2" (1486 mm x 775 mm)  
Electrical component rating: Pump: 120 V, 7 A, 60 Hz  
Heater: 120 V, 12 A, 60 Hz  
Pump speed: Single

### Notes

Measure your actual product for rough-in details. Install this product according to the installation instructions.

The hot water supply should be 70% of the capacity of the bath or greater. Installations will vary.

Provide one grounded electrical outlet within 24" (610 mm) of each component.

ADA compliant when installed to the specific requirements of these regulations.