

Features

- 6 hydromassage jets can be individually adjusted for water flow and direction.
- Variable-speed pump for adjusting massage intensity.
- Built-in heater.
- Electronic keypad.
- Safeguard slip-resistant surface on bath floor.
- Multiple pump location options give you more choices for installation and access. (See specification sheet for pump locations.)
- End drain.
- Under-mountable

Material

- KOHLER® enameled cast iron.

Hydrotherapy

- Whirlpool

Installation

- Drop-in, alcove, or under-mount.

Required Products/Accessories

- K-7169-AF 1-1/2" Contoured Pop-up Drain
- K-9696 Whirlpool 6-Jet Trim Kit

Recommended Products/Accessories

- K-1179 Vinyl Tiling-in Bead
- K-1703 Whirlpool Remote Control
- K-586 Under-Mount Installation Kit
- K-1172 Adjustable feet
- K-1491 Bath/Whirlpool Pillow
- K-1601 Bath/Whirlpool Footstop
- K-9497 2-1/2" Keypad Trim
- K-702200-G54 Frameless Sliding Bath Door
- K-702200-G73 Frameless Sliding Bath Door
- K-702200-L Frameless Sliding Bath Door
- K-702205-L Frameless Sliding Bath Door



ADA

Codes/Standards

- ASME A112.19.1/CSA B45.2
- ASME A112.19.7/CSA B45.10
- ASTM F462
- UL 1795
- CSA C22.2 No. 218.2
- ADA
- ICC/ANSI A117.1










KOHLER® Enameled Cast Iron Bath and Shower Base Lifetime Limited Warranty

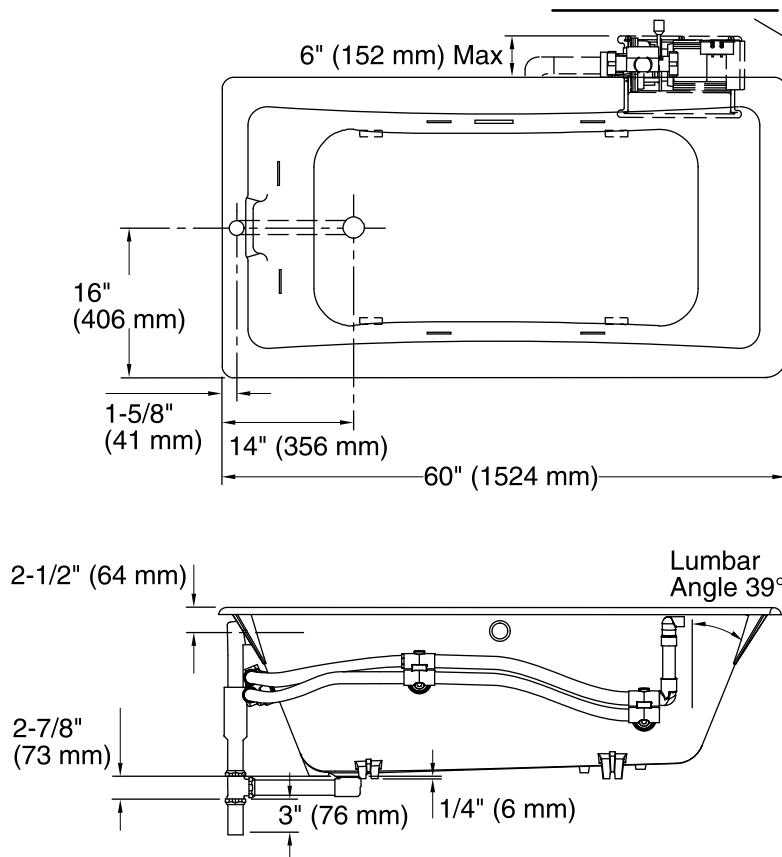
KOHLER® Hydrotherapy Components Five-Year Limited Warranty

See website for detailed warranty information.

Available Colors/Finishes

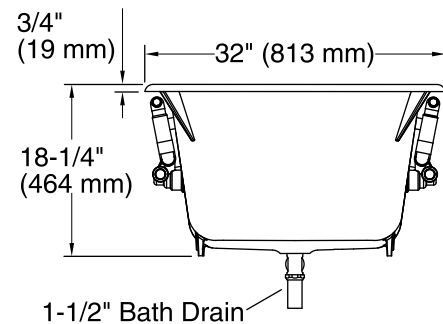
Color tiles intended for reference only.

Color	Code	Description
	0	White
	96	Biscuit
	47	Almond
	NY	Dune
	95	Ice™ Grey
	G9	Sandbar
	33	Mexican Sand™
	K4	Cashmere
	58	Thunder™ Grey



Pump/Control Access
34" (864 mm) W x
15" (381 mm) H

No change in measurements if connected with drain illustrated. (K-7169-AF)



Required Electrical Service

One dedicated circuit required, protected with Class A Ground-Fault Circuit-Interrupter (GFCI). Outside North America, this device may be known as a Residual Current Device (RCD).

Pump, Heater: 240 V, 20 A, 50/60 Hz

Technical Information

All product dimensions are nominal.

Installation:	Drop-in, Under-mount, Three-wall alcove
Drain location:	End
Basin area, bottom:	40-1/2" x 20" (1029 mm x 508 mm)
Basin area, top:	52-3/4" x 24" (1340 mm x 610 mm)
Weight:	290 lbs (131.5 kg)
Minimum floor load:	60 lbs/ft ² (292.9 kg/m ²)
Water depth:	13-5/8" (346 mm)
Water capacity:	60 gal (227.1 L)
Cutout:	Drop-in, 58-1/2" x 30-1/2" (1486 mm x 775 mm)
Template:	Under-mount, K-586, required, not included
Electrical component rating:	Pump: 240 V, 11 A Heater: 240 V, 6 A, 1500 W

Notes

Measure your actual product for rough-in details. Install this product according to the installation instructions.

The hot water supply should be 70% of the capacity of the bath or greater. Installations will vary.

Pump must be relocated to custom position at the time of installation. Provide adequate clearance.

Kit is required for under-mount installations (sold separately).

Cast iron whirlpools are extremely heavy, making some drop-in installations difficult. Splitting the deck/surround is recommended if installing into a deck.

ADA compliant when installed to the specific requirements of these regulations.