

Features

- Elongated bowl offers added room and comfort
- Siphon jet
- 1.28 or 1.6 gpf (4.8 or 6.0 lpf) depending on flushometer specified
- 10-1/2" x 7-7/8" (267 x 200 mm) water surface
- 1-1/2" (38 mm) rear spud

Material

- Vitreous china

Technology

- Cast-on putty plate resists breakage
- New design eliminates gas leaks, splashing and paper shredding

Installation

- Three-bolt wall-mount
- This product replaces Sifton™ K-4460-C
- This product is not designed or intended for bariatric use



ADA

CSA B651

OBC

Codes/Standards

ASME A112.19.2/CSA B45.1
DOE - Energy Policy Act 1992
EPA WaterSense®
California Energy Commission (CEC)
ADA
ICC/ANSI A117.1
CSA B651
OBC


KOHLER® One-Year Limited Warranty

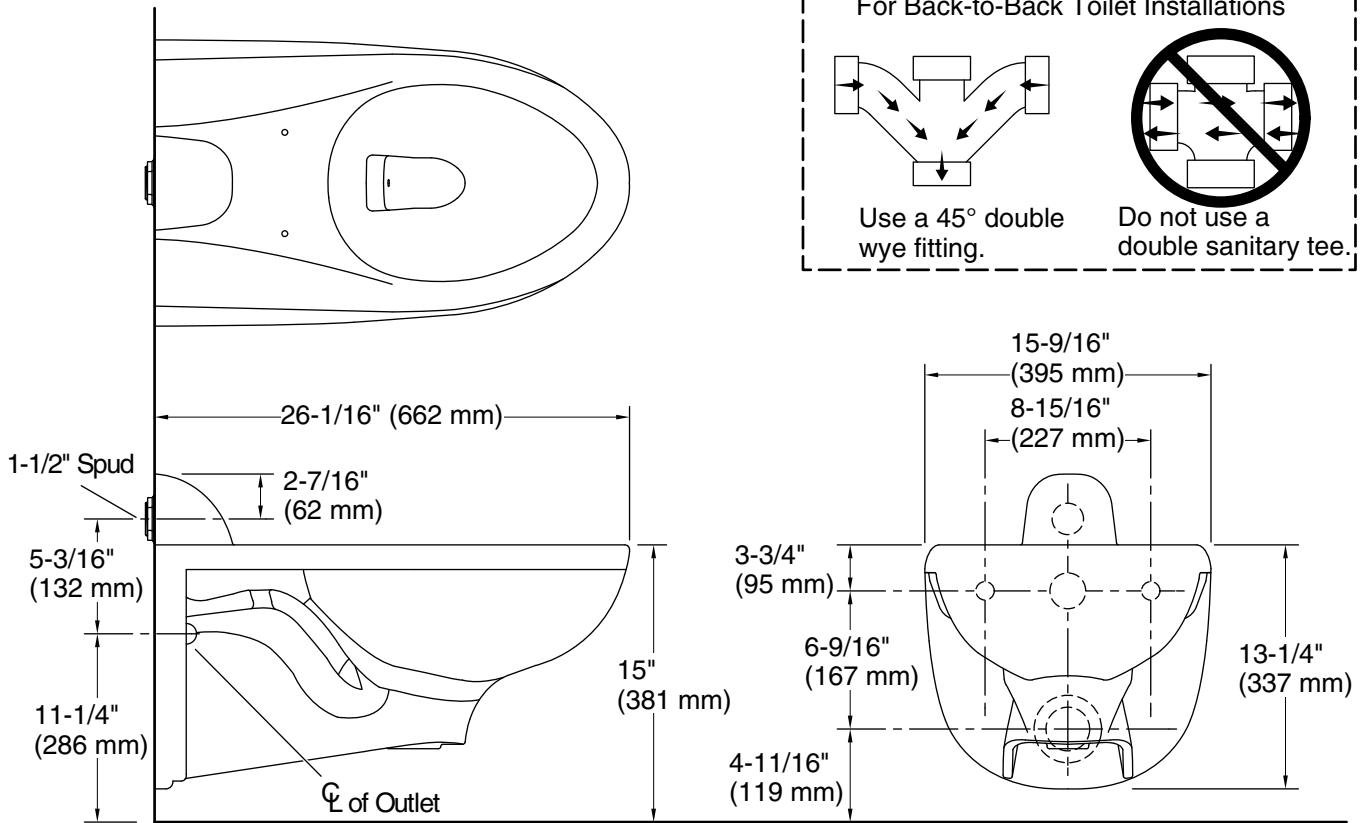
See website for detailed warranty information.

Available Colors/Finishes

Color tiles intended for reference only.

Color	Code	Description
-------	------	-------------

	0	White
---	---	-------



Technical Information

All product dimensions are nominal.

Toilet type:	Wall-hung
Waste Outlet:	Wall
Spud size:	Rear
Trap passageway:	2-5/16" (59 mm)
Rim to water surface:	4-15/16" (125 mm)

Notes

Install this product according to the installation instructions.

ADA, OBC, CSA B651 compliant when installed to the specific requirements of these regulations.

Plumbing codes may require elongated toilets and elongated, open-front seats in public bathrooms.

Accessibility standards may require controls to be located on the open side of the toilet.