

Features

- Solid-brass construction.
- For use with Underscore Cube baths and BubbleMassage air baths.
- Includes compression fit tee fitting and solder joint tee fitting.
- Requires K-8134 cable drain kit (sold separately).

Installation

- Through-the-floor, along-the-floor, compressor joint, or solder joint installation.

Required Products/Accessories

K-8134 Cable Bath Drain Trim Kit

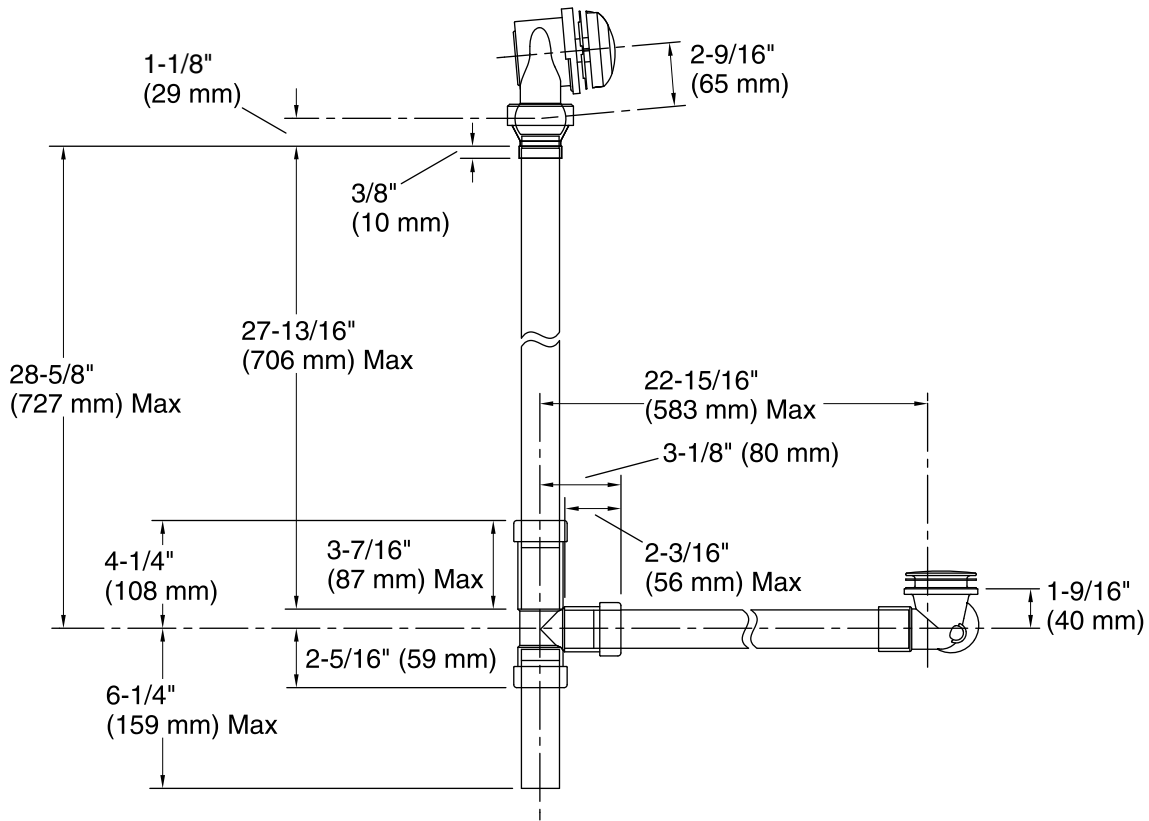


Codes/Standards

ASME A112.18.2/CSA B125.2

KOHLER® One-Year Limited Warranty

See website for detailed warranty information.



Technical Information

All product dimensions are nominal.