



Maxstow™
medicine cabinet, 30" x 24"
K-81154

Features

- Innovative staggered shelf layout fits tall and short items.
- Deep shelves hold large containers.
- Low-profile design hugs the wall for a clean look.
- Mirror-front door with reflective mirrored interior.
- Three fixed shelves.
- Two-way adjustable hinges with 108-degree opening capability for easy cabinet access.

Material

- Rustproof aluminum.

Installation

- Easy surface-mount installation—no wall cutting.
- Reversible: install as left- or right-hinge swing.
- Includes mounting hardware.
- Includes two reversible side panel kits (White and Grey) to match your decor.



Codes/Standards

None Applicable

KOHLER® One-Year Limited Warranty

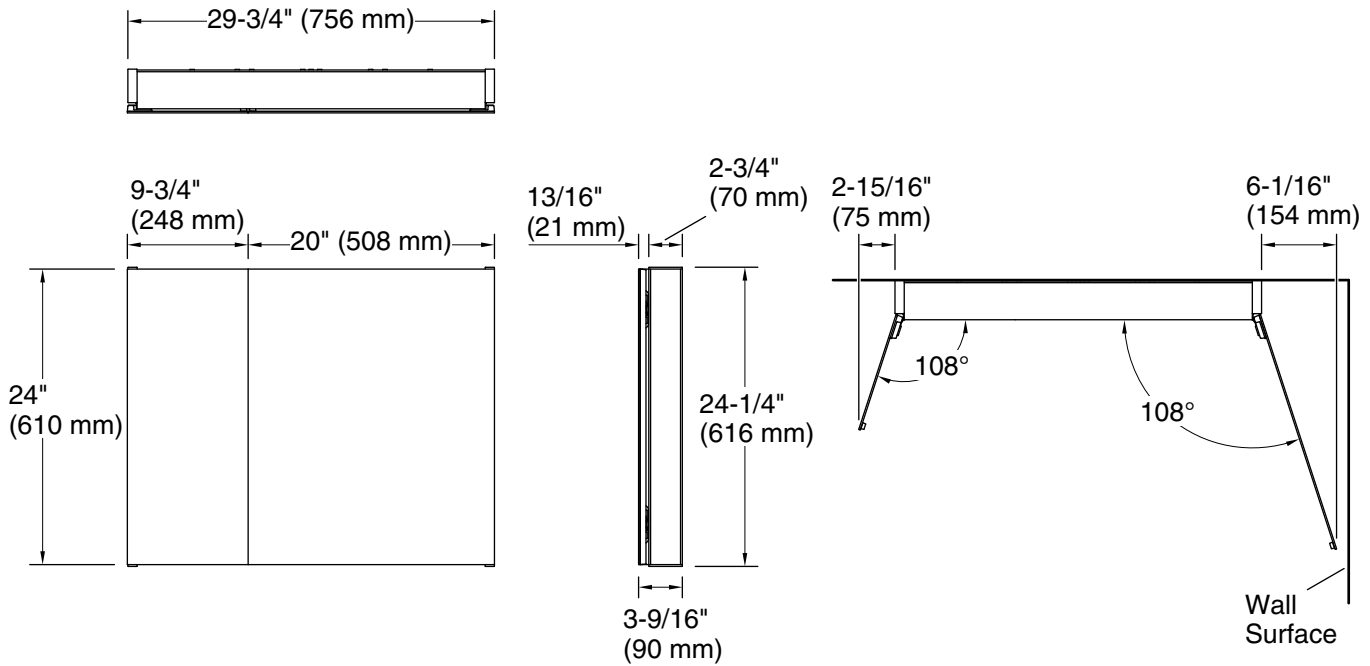
See website for detailed warranty information.

Available Colors/Finishes

Color tiles intended for reference only.

Color Code Description

LA1



Technical Information

All product dimensions are nominal.

Vanity type: Wall-mount

Mirror type: Wall-mount

Notes

Install this product according to the installation instructions.

When determining the height of the cabinet, ensure the mirrored door will clear all obstacles (such as a faucet). A minimum distance of 3" (76 mm) is required.

This cabinet is designed for either right or left door swing. Check for obstructions.