

Features

- Lavatory system with backsplash offers contemporary styling for commercial applications
- Basin and trough slope design prevents water from splashing back on user
- Back ledge provides a dry space for storing cell phones and other devices
- Faucets and soap dispensers attach to lavatory backsplash, eliminating the need to drill through finished wall
- Predrilled mounting holes for faucets and soap dispensers
- Drain strainers help prevent debris from entering drains
- Lavatory system available in your choice of Silestone® quartz or Corian® Solid Surface in a host of color options
- Silestone® quartz provides exceptional durability and stain resistance, making it easy to maintain
- Corian® Solid Surface has a nonporous surface to help prevent bacteria and mold growth
- Vandal-resistant locking doors on stainless steel shroud conceal pipes and swing open to provide easy below-deck access for maintenance
- Requires select Composed® wall-mount faucet and soap dispenser bundles (sold separately)

Installation

- Wall-mount

Recommended Products/Accessories

K-181025-BC1 Touchless lavatory faucets & soap dispensers with Kinesis® sensor technology, AC-powered, 0.5 gpm



ADA **CSA B651**

Codes/Standards

IAPMO IGC 156
ADA
ICC/ANSI A117.1
CSA B651

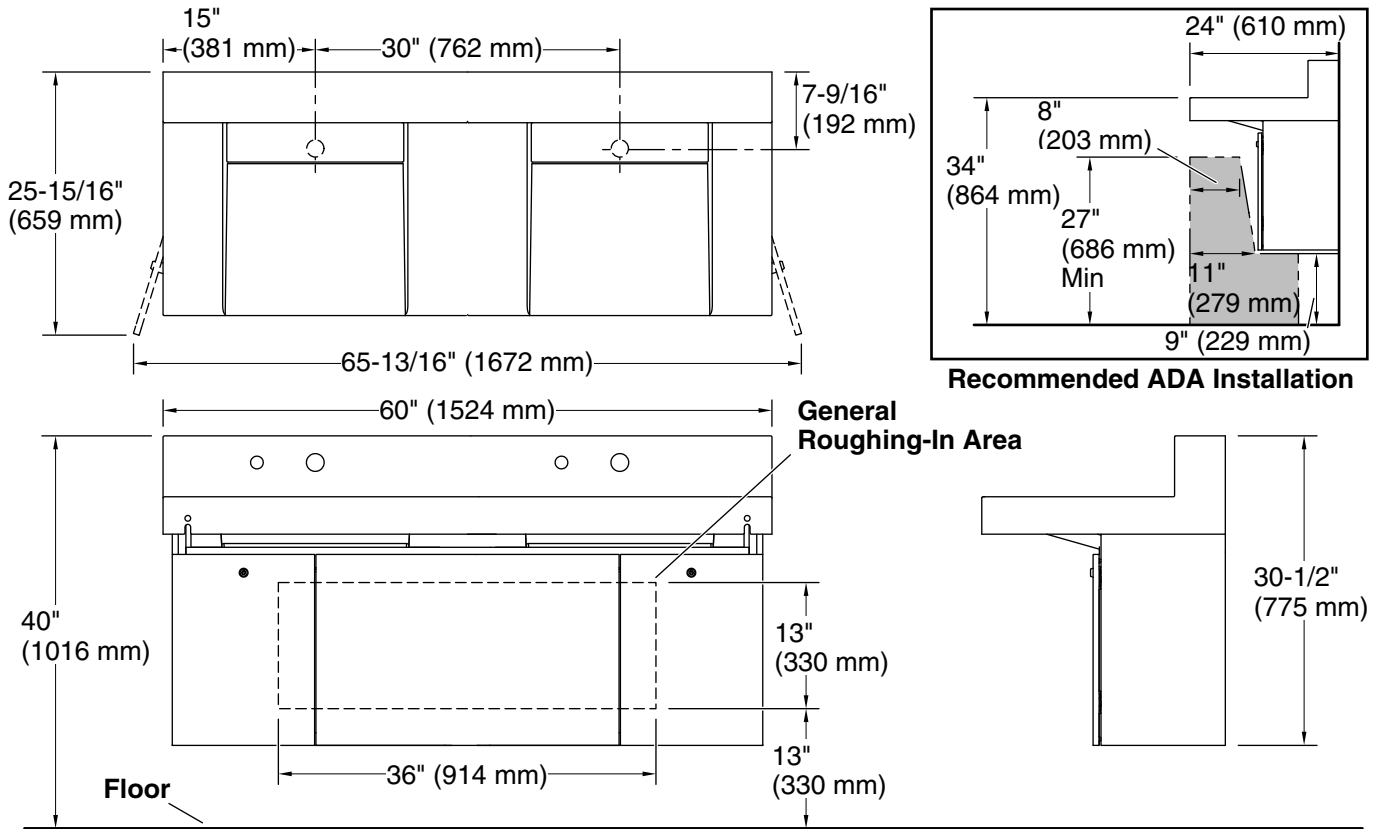
KOHLER® One-Year Limited Warranty

See website for detailed warranty information.

Available Colors/Finishes

Color tiles intended for reference only.

| Color | Code | Description |
|-------|------|------------------|
| | KEB | Et Bianco Cal |
| | KEH | Miami White |
| | KCG | Glacier White |
| | KCE | Ash Concrete |
| | KCD | Designer White |
| | KCC | Canvas |
| | KED | Desert Silver |
| | KEP | Pearl Jasmine |
| | KES | Et Statuario |
| | KCT | Concrete |
| | KCN | Neutral Concrete |
| | KCR | Arrow Root |
| | KEW | Iconic White |
| | KEG | Et Cal Gold |



Technical Information

All product dimensions are nominal.

Min. base cabinet width: 24" (610 mm)

Drain hole: 1-3/4" (44 mm)

Notes

Install this product according to the installation instructions.

Select the type of fastener based upon the wall material. 500 lb (227 kg) minimum load bearing fasteners are recommended.

ADA, CSA B651 compliant when installed to the specific requirements of these regulations.