

### Features

- Valvet® valves.
- Pop-up drain with lift rod and tailpiece.
- For 5-1/2" (140 mm) centers.
- Cross handles.
- 1-1/4" (32 mm) spout.
- Lower flow aerator options are available.
- 0.5 gpm (1.9 lpm) maximum flow rate at 60 psi (4.14 bar).

### Material

- Brass.
- Brass valve bodies.

### Recommended Products/Accessories

K-23726 Drain treatment  
K-23723 Faucet cleaner

### Optional Products/Accessories

1160594 .35 gpm Aerator, Large



ADA CSA B651

### Codes/Standards

ASME A112.18.1/CSA B125.1  
NSF/ANSI 61  
NSF/ANSI 372  
All applicable US Federal and State material regulations  
DOE - Energy Policy Act 1992  
California Energy Commission (CEC)  
ADA  
ICC/ANSI A117.1  
CSA B651

### KOHLER® One-Year Limited Warranty

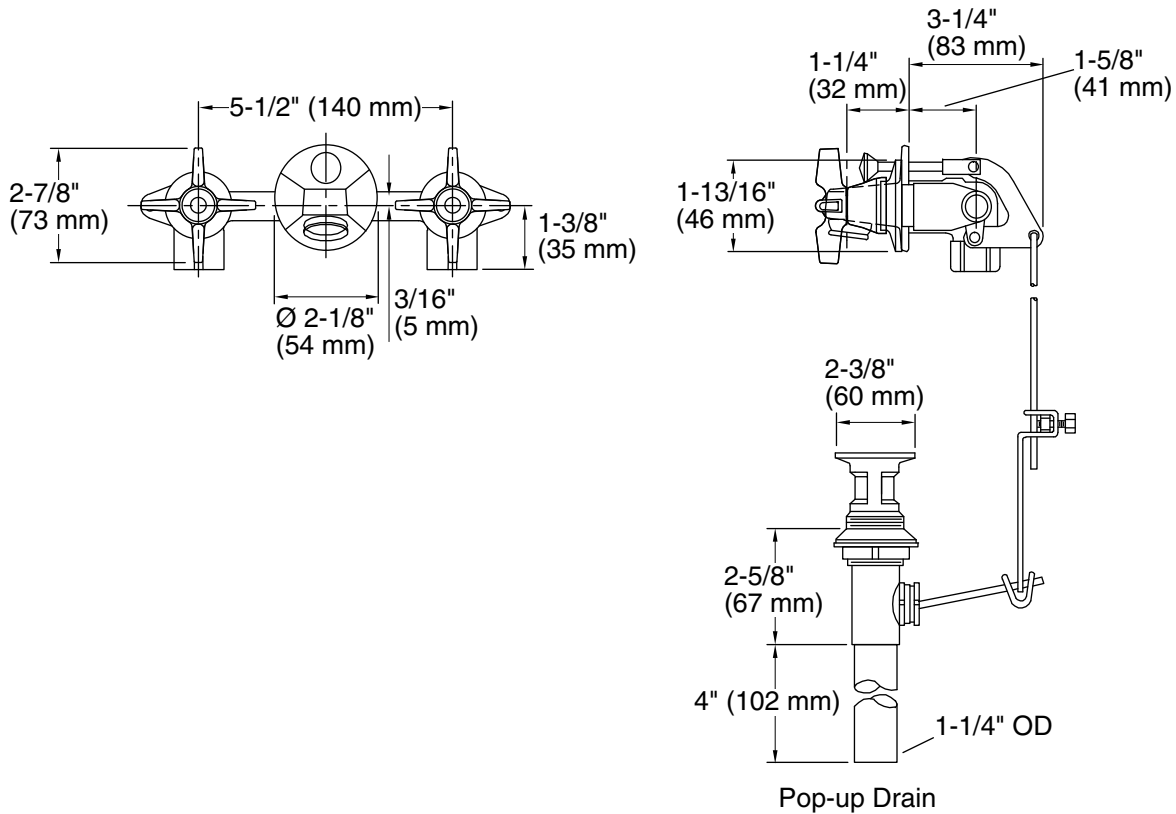
See website for detailed warranty information.

### Available Colors/Finishes

*Color tiles intended for reference only.*

Color	Code	Description
-------	------	-------------

	CP	Polished Chrome
---	----	-----------------



### Technical Information

All product dimensions are nominal.

#### Faucet:

Flow rate: 0.5 gal/min (1.9 l/min)

Pressure: 60 psi (4.1 bar)

Drain included: Yes

#### Spout:

Spout reach: 1-1/4" (32 mm)

### Notes

Install this product according to the installation guide.

ADA compliant for handles only.

ADA, CSA B651 compliant when installed to the specific requirements of these regulations.