



Highline® Curve Comfort Height®

The Complete Solution® two-piece elongated toilet

K-78276

Features

- Two-piece toilet.
- Elongated bowl offers added room and comfort.
- Comfort Height® feature offers chair-height seating that makes sitting down and standing up easier for most adults.
- 1.28 gallons per flush (gpf).
- Complete Solution® toilets provide everything you need in one box, including bowl, tank, seat, wax ring and floor hardware.

Technology

- Single-flush gravity uses the force of gravity and a precision-engineered tank, bowl, and trapway to create a strong siphon during flushing.
- Class Five® flushing technology offers virtually plug-free performance and rinsing power for a clean bowl.

Installation

- Standard 12" rough-in.
- Three-bolt installation.
- Supply line not included.

Required Products/Accessories

- K-75796 Cachet® Nightlight Quiet-Close™ Elongated Toilet Seat
- or
- K-5588 Purefresh® Elongated Toilet Seat
- or
- K-75758 Cachet® Nightlight Quiet-Close™ Round-Front Toilet Seat
- or
- K-5589 Purefresh® Round-Front Toilet Seat

Recommended Products/Accessories

- K-23726 Drain treatment
- K-23734 Toilet bowl cleaner & disinfectant
- K-23724 Toilet cleaner & disinfectant

Included Components

- Additional Components:
- Polished Chrome trip lever



ADA	CSA B651	OBC
-----	----------	-----

Codes/Standards

- ASME A112.19.2/CSA B45.1
- DOE - Energy Policy Act 1992
- EPA WaterSense®
- California Energy Commission (CEC)
- ADA
- ICC/ANSI A117.1
- CSA B651
- OBC

KOHLER® Toilets and Seats Limited Warranty

See website for detailed warranty information.

Available Colors/Finishes

Color tiles intended for reference only.

Color Code Description

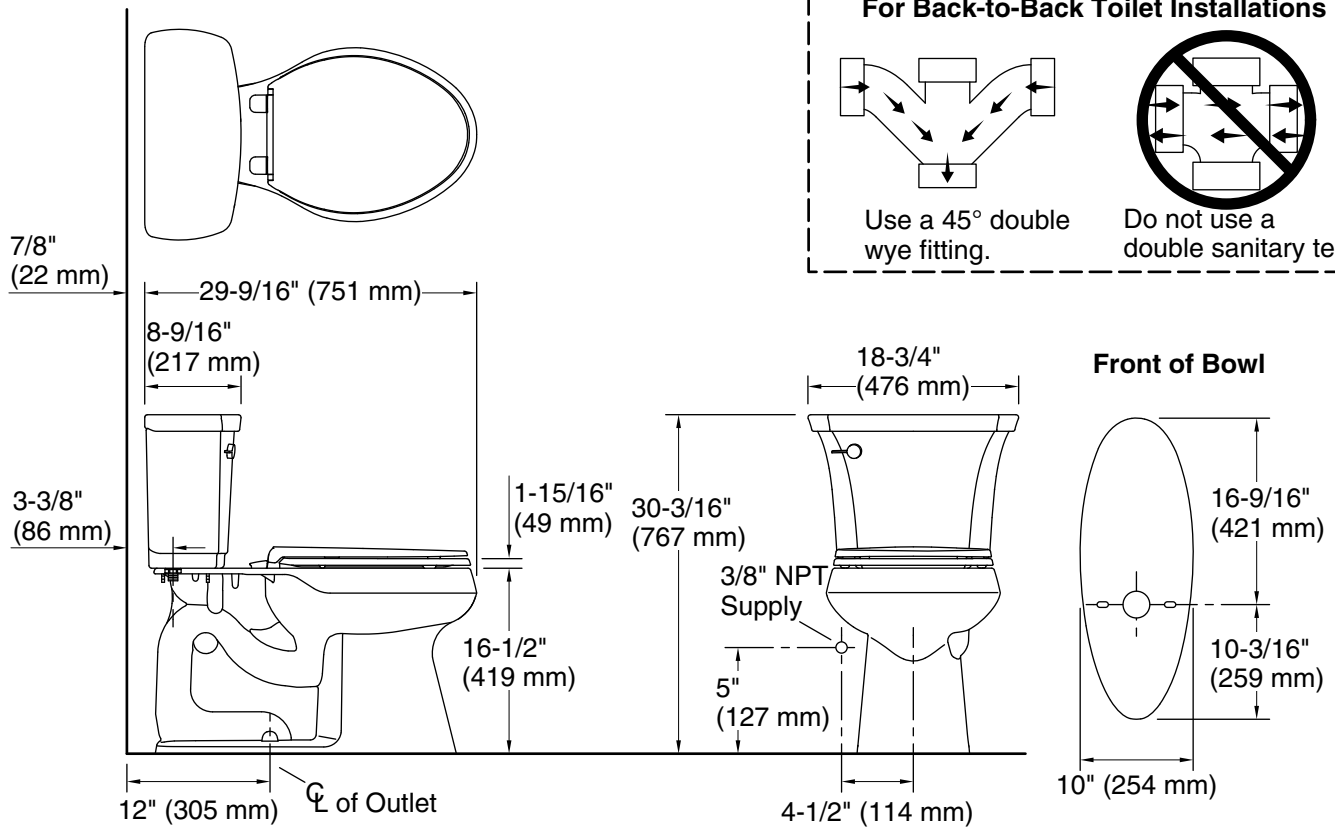
	0	White
--	---	-------



Highline® Curve Comfort Height®

The Complete Solution® two-piece elongated toilet

K-78276



Technical Information

All product dimensions are nominal.

Toilet type:	Two-piece, Floor-mount
Waste Outlet:	Floor
Bowl shape:	Elongated
Flush type:	Class Five®
Trap passageway:	2-1/8" (54 mm)
Water Consumption	
Full:	1.28 gpf (4.8 lpf)
Water surface size:	11-3/8" x 8" (289 mm x 203 mm)
Rim to water surface:	5-3/8" (137 mm)
Rough-in:	12" (305 mm)

Notes

- Install this product according to the installation instructions.
- For back-to-back toilet installations: Use only a 45° double wye fitting.
- ADA, OBC, CSA B651 compliant when installed to the specific requirements of these regulations.
- Plumbing codes may require elongated toilets and elongated, open-front seats in public bathrooms.
- Accessibility standards may require controls to be located on the open side of the toilet.